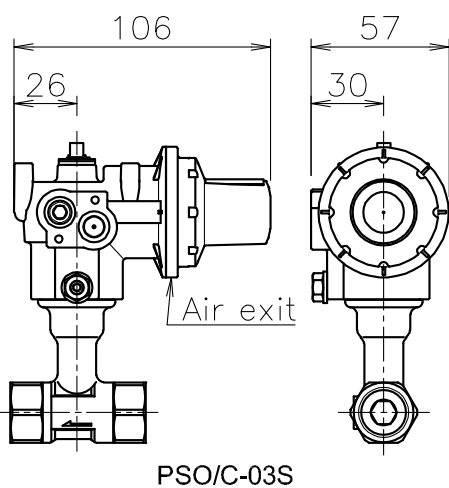
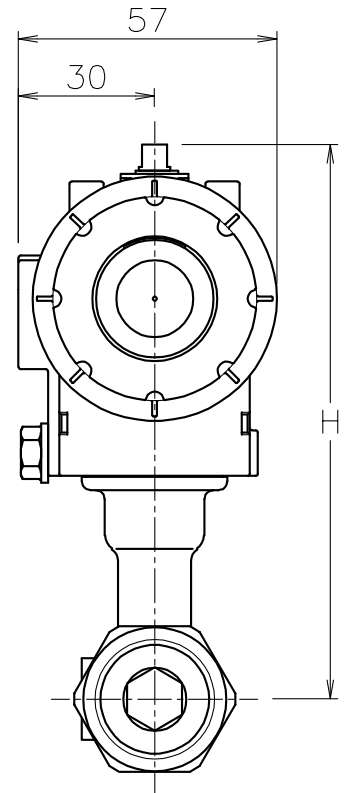
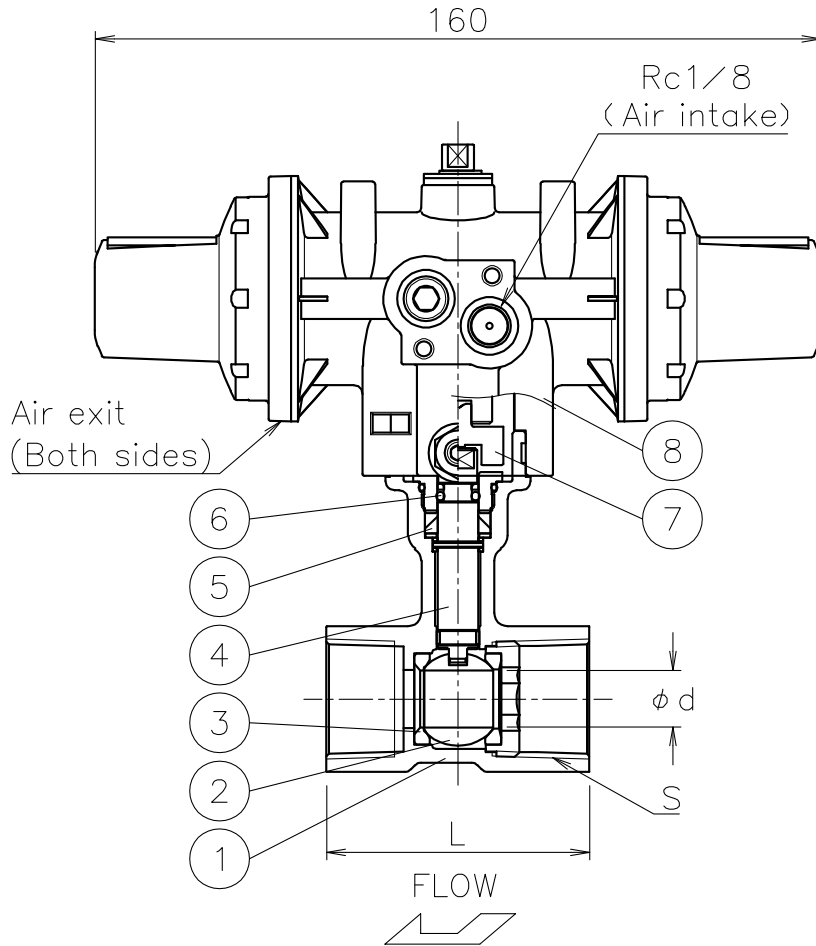



Valve DN	S	d	L	H	Weight (kg)	Cv	Actuator		Sizing code
15 A	Rc 1/2	9	56	112	0.5	5	PSO-03S	PSC-03S	0
20 A	Rc 3/4	12.5	58	123	0.7	10	PSO-03D	PSC-03D	0
25 A	Rc 1	16	71	125	0.8	15	PSO-03D	PSC-03D	0



NOTE

- Air supply : 0.4~0.5 Mpa max 0.7 Mpa
- Actuator operation
 - PSO serie ▪ Air to intake port : OPEN
 - Spring return : SHUT
 - PSC serie ▪ Air to intake port : SHUT
 - Spring return : OPEN
- Coupling OD must be less than $\phi 14.5$

8	Actuator	PPS body	1	PSO/C
7	Joint	SUS304	1	
6	O-ring	FKM	1	
5	Packing	PTFE	1	
4	Stem	SUS304	1	
3	Seat	R-PTFE	2	
2	Ball	SUS304	1	
1	Body	SCS13A	1	
No	DESCRIPTION	MATERIALS	REQ'D	REMARKS

			APPR'D	K.Y	TITLE	Valve DN: 15~25 A			
			CHK'D	K.Y		Threaded End Rc (single-acting type)			
			DESIGN			AE type pneumatic actuated ball valve			
			DRAWN	T.A	MODEL	PSOAE905TTP		PSCAE905TTP	
MARK	DATE	BY	DATE	'22-12-05	SCALE	NON	DWG No.	AE-905TTP-DA1-EN	
REVISIONS			 NIPPON VALVE CONTROLS, INC.						
MV-2987									