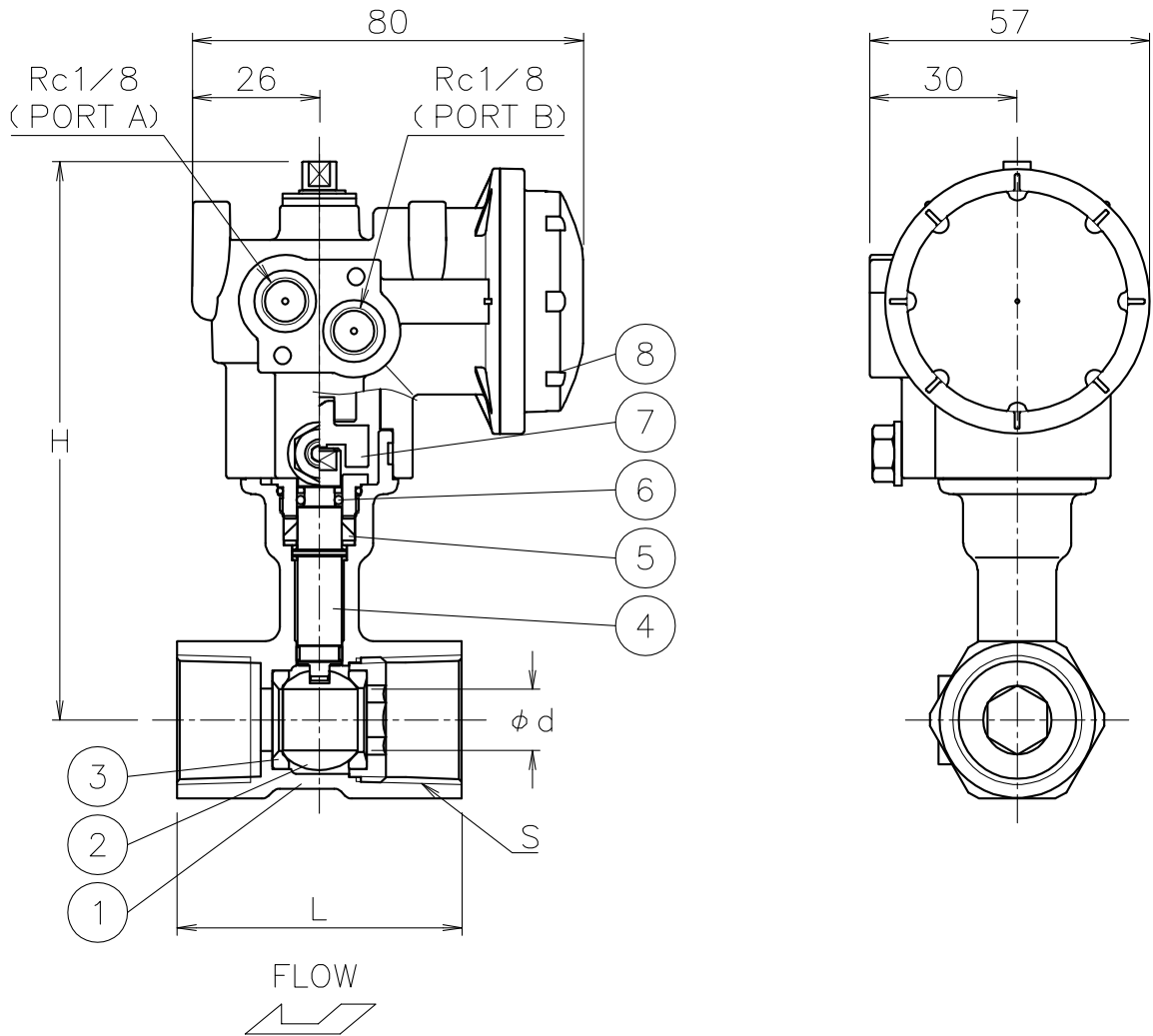



Valve DN	S	d	L	H	Weight (kg)	Cv	Actuator	Sizing code
15 A	Rc 1/2	9	56	112	0.4	5	PND-03S	0
20 A	Rc 3/4	12.5	58	114	0.5	10	PND-03S	0
25 A	Rc 1	16	71	117	0.6	15	PND-03S	0



NOTE

1. Air supply : 0.4~0.5 Mpa max 0.7 Mpa
2. Actuator operation
 - Air to port A : SHUT
 - Air to port B : OPEN
3. Coupling OD must be less than φ14.5

8	Actuator	PPS body	1	PND
7	Joint	SUS304	1	
6	O-ring	FKM	1	
5	Packing	PTFE	1	
4	Stem	SUS304	1	
3	Seat	R-PTFE	2	
2	Ball	SUS304	1	
1	Body	SCS13A	1	
No	DESCRIPTION	MATERIALS	REQ'D	REMARKS

			APPR'D	K.Y	TITLE	Valve DN: 15~25 A Threaded End Rc (double-acting type) AE type pneumatic actuated ball valve		
			CHK'D	K.Y				
			DESIGN					
			DRAWN	T.A	MODEL	PND AE905TTP		
MARK	DATE	BY	DATE	'22-12-05	SCALE	NON	DWG No.	AE-905TTP-NA1-EN
REVISIONS			 NIPPON VALVE CONTROLS, INC.					
MV-2987								