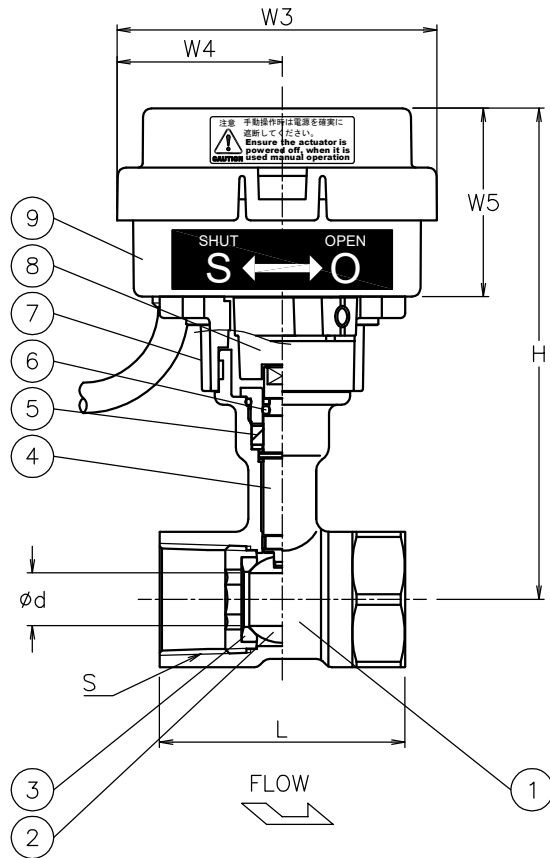
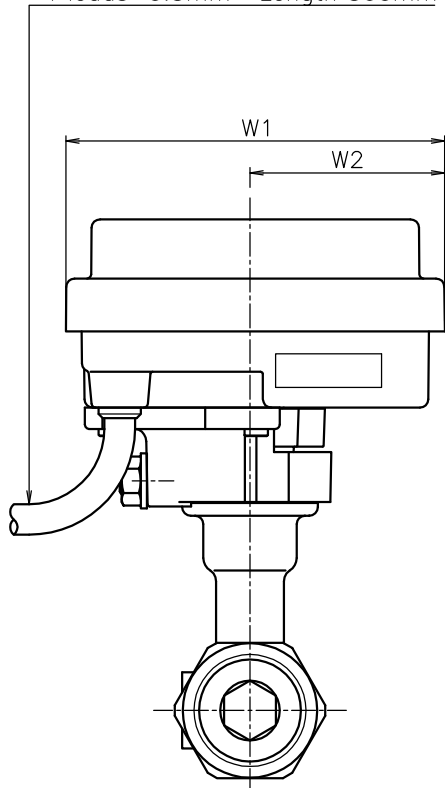


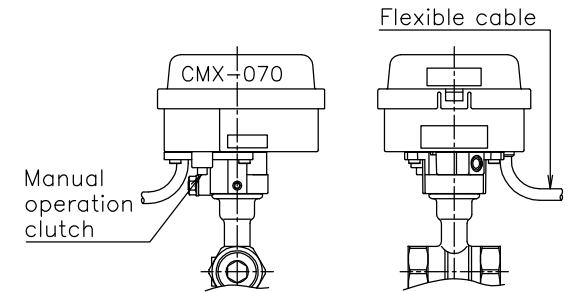
Size [mm]	S	d	L	W1	W2	W3	W4	W5	H	Weight [kg]	Cv	Actuator			Sizing code
												AC power		DC power	
												CMX-030-1	CMX-030-2	CMX-015-0	
15	Rc 1/2	9	56	90	46	76	39	44.5	114	0.7	5	CMX-030-1	CMX-030-2	CMX-015-0	0
				105	55	96	48	61	134	1.1		-	-	CMX-070-0	2
20	Rc 3/4	12.5	58	90	46	76	39	44.5	116	0.8	10	CMX-030-1	CMX-030-2	CMX-015-0	0
				105	55	96	48	61	137	1.1		-	-	CMX-070-0	2
25	Rc 1	16	71	90	46	76	39	44.5	119	0.9	15	CMX-030-1	CMX-030-2	-	0
				105	55	96	48	61	139	1.2		CMX-070-1	CMX-070-2	CMX-070-0	2

Flexible cable
4 leads 0.5mm² Length 500mm



NOTE

Press the actuator clutch and move the joint to manually operate the CMX-070.



CMXAE025TTP-015
CMXAE025TTP-020
CMXAE*25TTP-025

No	DESCRIPTION	MATERIALS	REQ'D	REMARKS
9	Actuator	PC Case	1	
8	Joint	PPS	1	
7	Bracket	PPS	1	
6	O-ring	FKM	1	
5	Packing	PTFE	1	
4	Stem	SUS304	1	
3	Seat	R-PTFE	2	
2	Ball	SUS304	1	
1	Body	SCS13A	1	

MARK	DATE	BY	DATE	APPR'D	H.F	TITLE	Threaded End Rc AE type motorized control valve		
				CHK'D	K.Y				
				DESIGN					
				DRAWN	S.O	MODEL	CMXAE**5TTP		
					'18-01-24	SCALE	NON	DWG No.	AE-*5TTP-MX5-EN
REVISIONS									
MV-2680									