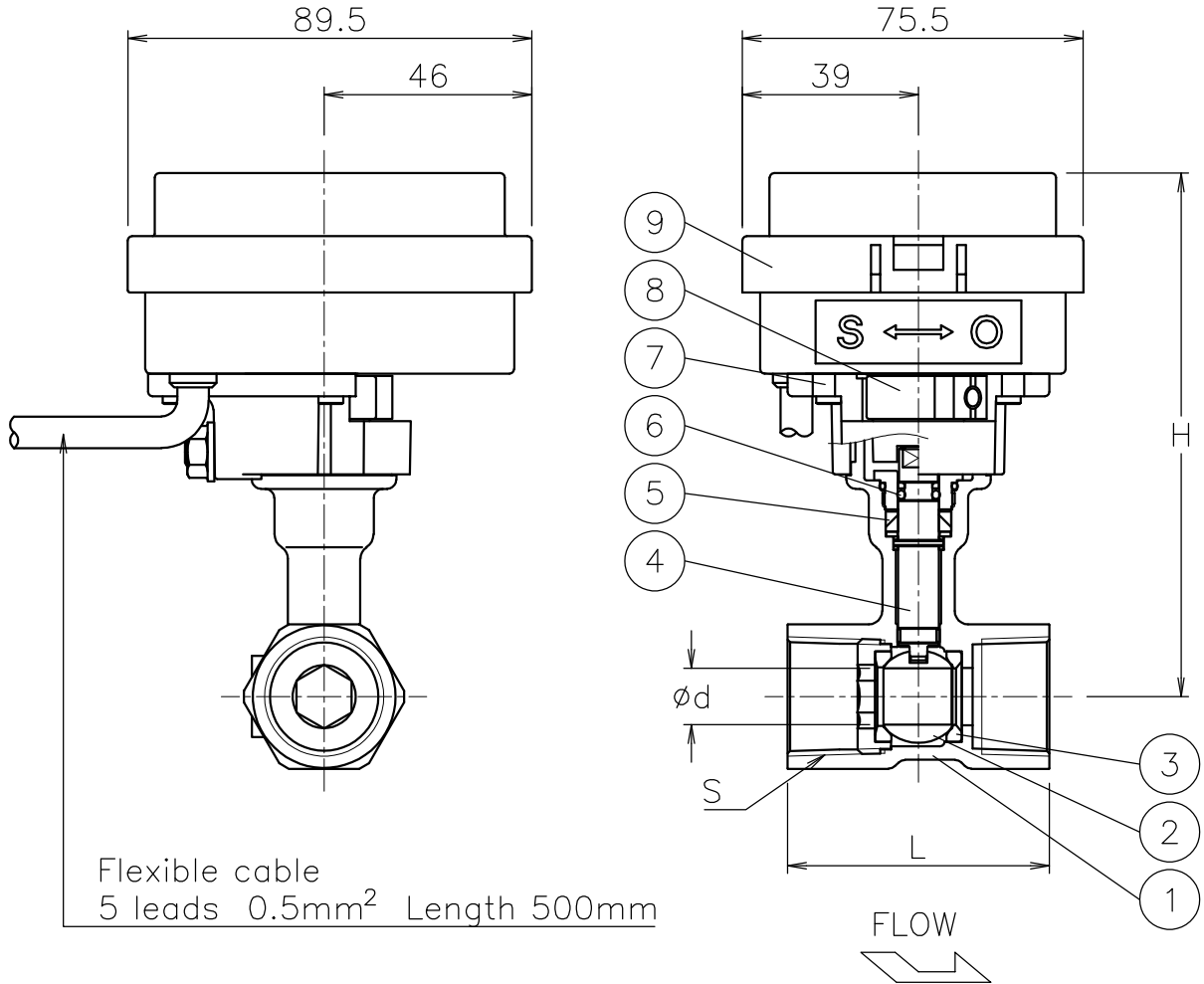


Valve DN	S	d	L	H	Weight (kg)	Cv	Actuator		Sizing code
15 A	Rc 1/2	9	56	114	0.7	5	CD2-030	CM*-030	0
20 A	Rc 3/4	12.5	58	116	0.8	10	CD2-030	CM*-030	0
25 A	Rc 1	16	71	119	0.9	15	CD2-030	CM*-030	0



9	Actuator	PC Case	1	
8	Joint	PPS	1	
7	Bracket	PPS	1	
6	O-ring	FKM	1	
5	Packing	PTFE	1	
4	Stem	SUS304	1	
3	Seat	R-PTFE	2	
2	Ball	SUS304	1	
1	Body	SCS13A	1	
No	DESCRIPTION	MATERIALS	REQ'D	REMARKS

			APPR'D	H.F	TITLE	Threaded End Rc Valve DN: 15~25 A AE type motorized ball valve							
			CHK'D	K.Y		MODEL	CD2AE005TTP CM1AE*05TTP CM2AE*05TTP						
			DESIGN		MARK		DATE	BY	DATE	'15-11-10	SCALE	NON	DWG No.
			DRAWN	S.O									
REVISIONS			NIPPON VALVE CONTROLS, INC.										
MV-2479													