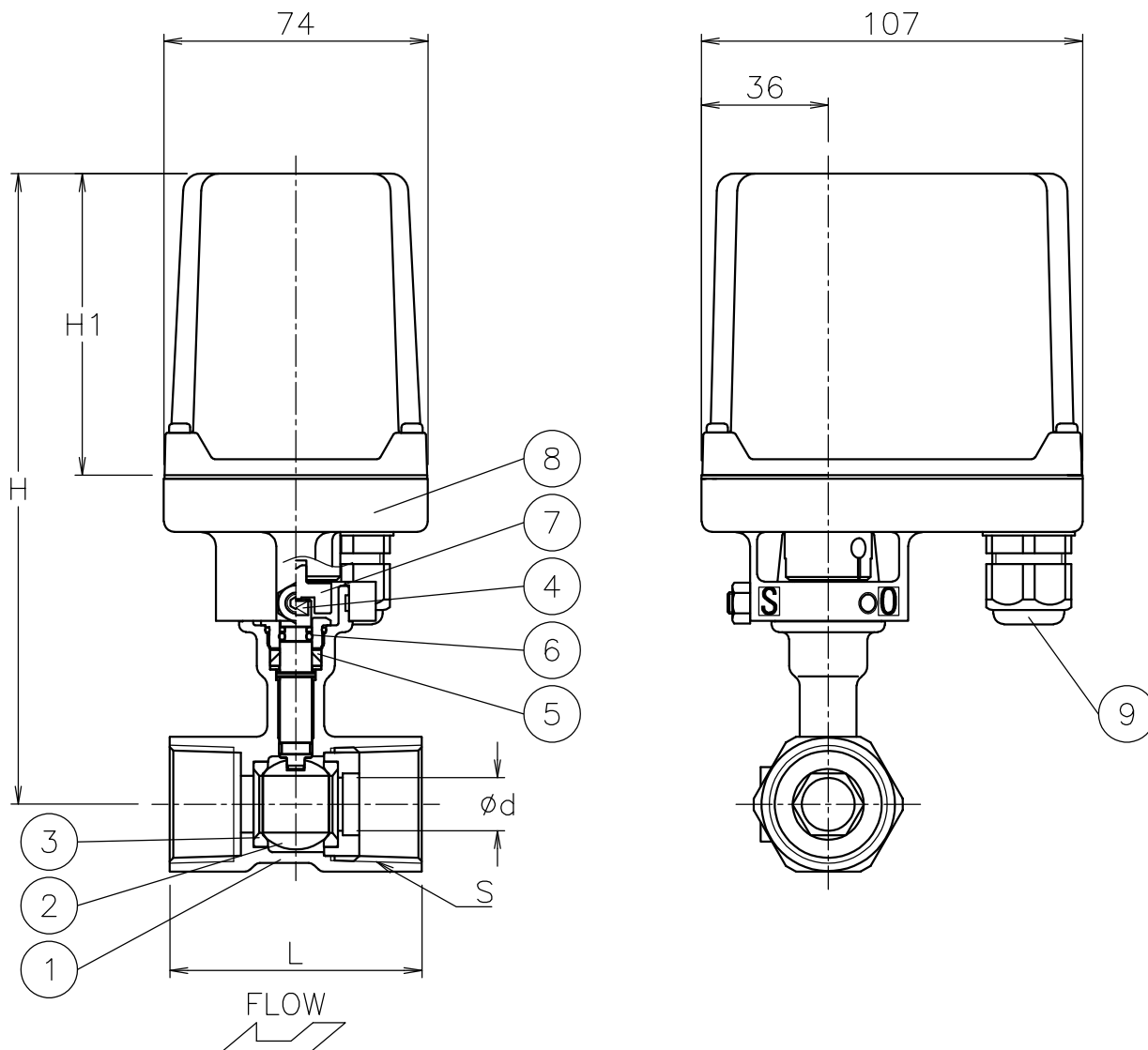



Valve DN	S	d	L	H1	H	Weight (kg)		Cv	Actuator		Sizing code
						AH1	DM*				
15 A	Rc 1/2	9.2	56	85 (58)	173 (146)	1.3	1.5 (1.1)	5	AH1-030	DM*-030	0
20 A	Rc 3/4	12.5	58	85 (58)	176 (149)	1.4	1.6 (1.2)	10	AH1-030	DM*-030	0
25 A	Rc 1	16	71	85 (58)	178 (151)	1.5	1.7 (1.3)	15	AH1-030	DM*-030	0

( ) : DM2-030



NOTE  
(a) Cable acceptance  $\phi 5 \sim 10.5\text{mm}$

9	Cable gland	NYLON 6	1	G 3/8 (a)
8	Actuator	ADC12/PC Cover	1	
7	Joint	SUS304	1	
6	O-ring	FKM	1	
5	Packing	PTFE	1	
4	Stem	SUS304	1	
3	Seat	R-PTFE	2	
2	Ball	SUS304	1	
1	Body	SCS13A	1	
No	DESCRIPTION	MATERIALS	REQ'D	REMARKS

			APPR'D	H.F	TITLE	Threaded End Rc		Valve DN: 15~25 A	
			CHK'D	K.Y		AE type motorized ball valve			
			DESIGN		MODEL	AH1AE*05TTP		DM0AE005TTP	
			DRAWN	P.O				DM2AE005TTP	
MARK	DATE	BY	DATE	'12-12-07	SCALE	NON	DWG No.	AE-05TTP-CM3-EN	
REVISIONS			 <b>NIPPON VALVE CONTROLS, INC.</b>						
MV-2359									