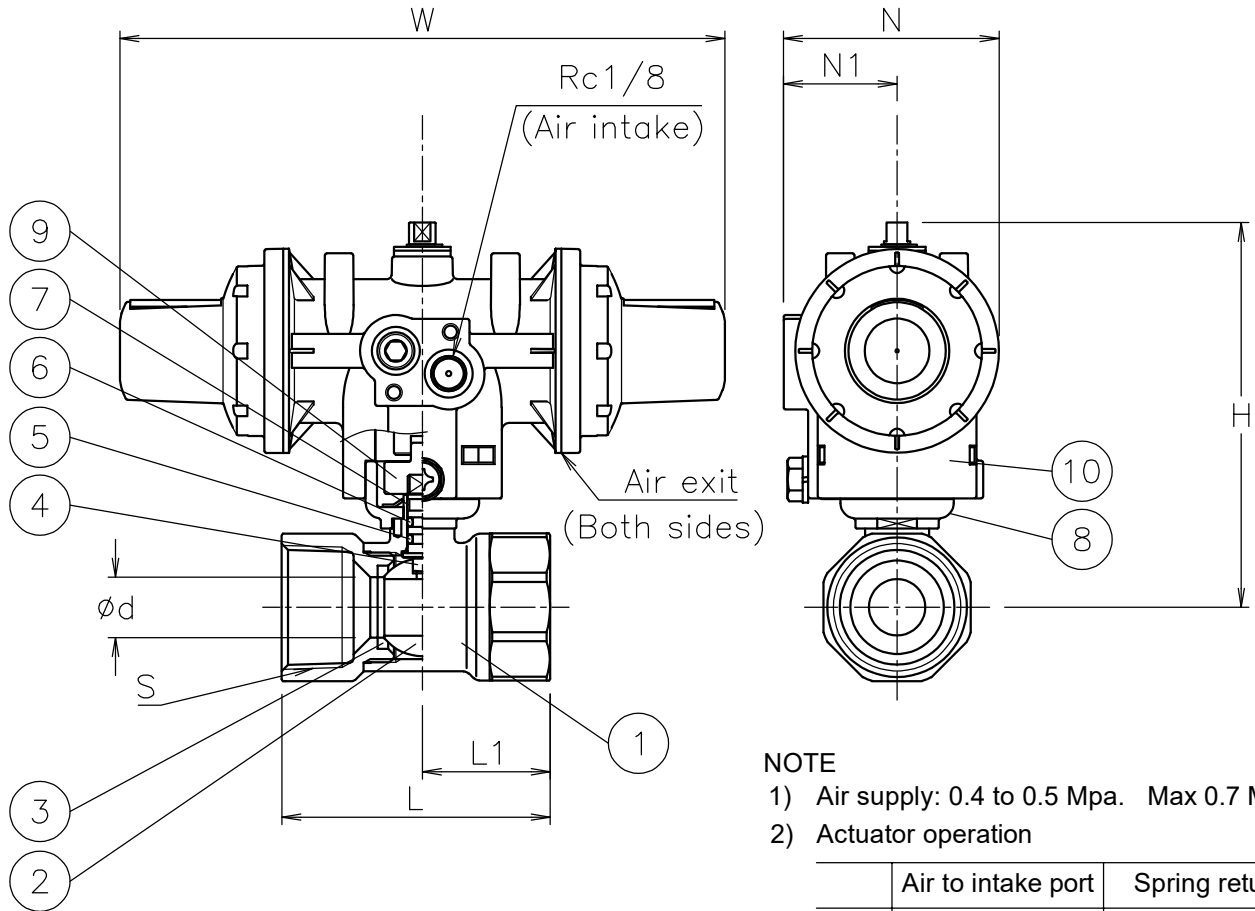


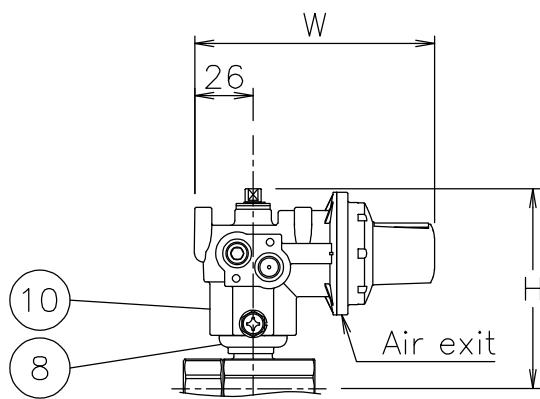
Size [mm]	S	d	L	L1	W	N	N1	H	Weight [kg]	Cv	Actuator		Sizing code
15	Rc 1/2	10	58	27.2	106	57	30	88	0.5	6	PSO-03S	PSC-03S	0
20	Rc 3/4	12.5	63	29.7	160	57	30	98	0.8	11	PSO-03D	PSC-03D	0
25	Rc 1	15	71	33.8	160	57	30	102	0.9	15	PSO-03D	PSC-03D	0



**NOTE**

- 1) Air supply: 0.4 to 0.5 Mpa. Max 0.7 Mpa.
- 2) Actuator operation

	Air to intake port	Spring return
PSO	OPEN	SHUT
PSC	SHUT	OPEN



PSOA-905YYF-015  
PSCA-905YYF-015

10	Actuator	PPS body	1	PSO/C
9	Joint	PPS	1	
8	Bracket	PPS	1	
7	Guide ring	PTFE	1	
6	O-ring	NBR	1	
5	O-ring	FKM	1	
4	Stem	Dezincification resistant brass	1	
3	Seat	F-PTFE	2	
2	Ball	C3604BD	1	Plated
1	Body	C3771BE	1	Plated
No	DESCRIPTION	MATERIALS	REQ'D	REMARKS

			APPR'D	H.F	TITLE	Threaded End Rc (single-acting type) A type pneumatic actuated ball valve					
			CHK'D	K.Y							
			DESIGN		MODEL	PSOA-905YYF PSCA-905YYF					
			DRAWN	S.O							
MARK	DATE	BY	DATE	'23-08-16	SCALE	NON	DWG No.	A-905YYF-DA2-EN			
REVISIONS											
MV-3026											