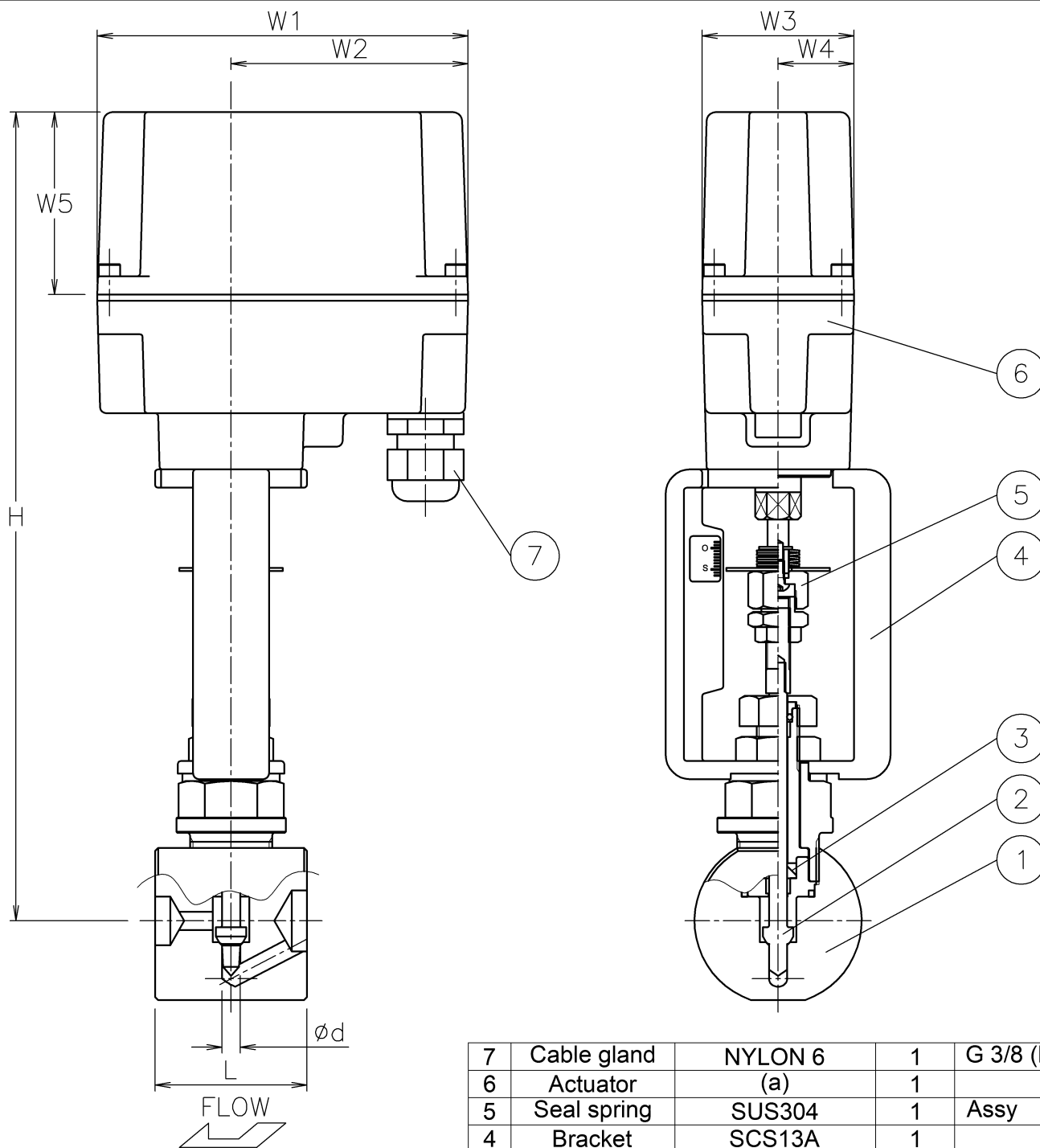


Valve DN	d	L	H	W1	W2	W3	W4	W5	Weight(kg)	Cv		Actuator	Sizing code
15 A	6	50	266	122	78	50	25	60	1.6	S	0.05	LAX-030	0
										M	0.13		
	L	0.34	LAX-070										
	X	0.8											
8	276	130	94	70	35	65	2.3	H	1.4				



NOTE

- (a) Aluminum alloy diecast cover
- (b) Cable acceptance $\phi 5 \sim 10.5 \text{mm}$

7	Cable gland	NYLON 6	1	G 3/8 (b)
6	Actuator	(a)	1	
5	Seal spring	SUS304	1	Assy
4	Bracket	SCS13A	1	
3	Packing	PTFE	1	
2	Trim	PEEK	1	
1	Body	PEEK	1	
No	DESCRIPTION	MATERIALS	REQ'D	REMARKS

			APPR'D	H.F	TITLE	J10K Flanged-end (Wafer type) Valve DN: 15 A NP type Electric Needle Valve					
			CHK'D	K.Y							
			DESIGN		MODEL	LAXNP101KKT ()					
			DRAWN	K.I							
MARK	DATE	BY	DATE	'12-08-03	SCALE	NON	DWG No.	NP-01KKT-LA2-E			
REVISIONS					NIPPON VALVE CONTROLS, INC.						
MV-2338											