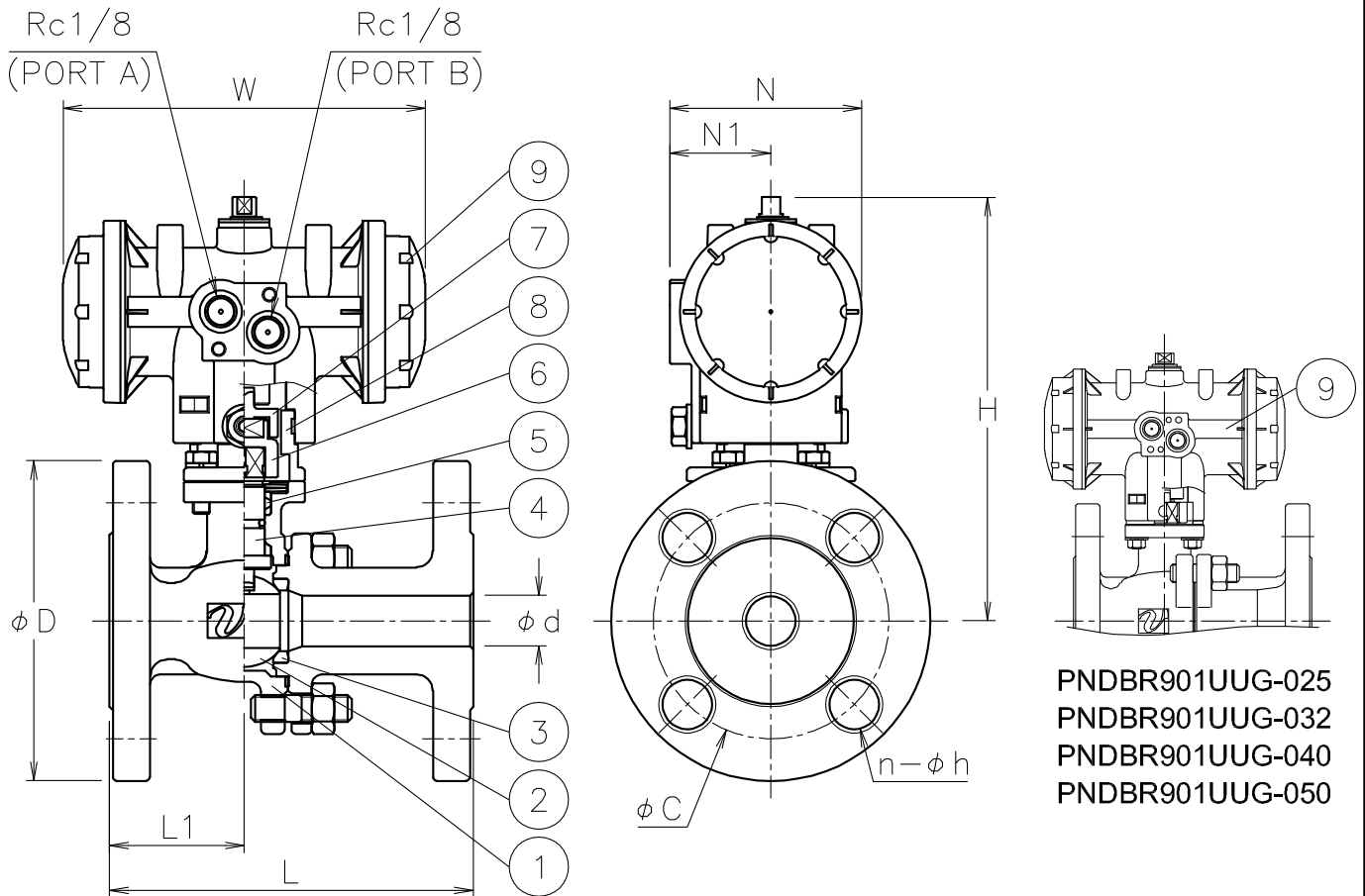


| Size [mm] | d | L | L1 | D | C | n-h | W | N | N1 | H | Weight [kg] | Actuator | Sizing code |
|-----------|----|-----|----|-----|-----|------|-----|----|----|-----|-------------|----------|-------------|
| 15 | 15 | 108 | 40 | 95 | 70 | 4-15 | 108 | 57 | 30 | 126 | 2.2 | PND-03D | 0 |
| 20 | 20 | 117 | 48 | 100 | 75 | 4-15 | 108 | 57 | 30 | 129 | 2.6 | PND-03D | 0 |
| | | | | | | | 128 | 68 | 36 | 146 | 3 | PND-04D | 2 |
| 25 | 25 | 127 | 49 | 125 | 90 | 4-19 | 128 | 68 | 36 | 143 | 4.3 | PND-04D | 0 |
| 32 | 32 | 140 | 60 | 135 | 100 | 4-19 | 128 | 68 | 36 | 149 | 5.4 | PND-04D | 0 |
| 40 | 40 | 165 | 68 | 140 | 105 | 4-19 | 157 | 82 | 44 | 164 | 6.6 | PND-05D | 0 |
| 50 | 50 | 178 | 72 | 155 | 120 | 4-19 | 157 | 82 | 44 | 173 | 8.6 | PND-05D | 0 |



NOTE

- 1) Air supply: 0.4 to 0.5 Mpa. Max 0.7 Mpa.
- 2) Actuator operation
Air to port A: SHUT.
Air to port B: OPEN.
- (a) Coupling OD must be less than 14.5 mm.

| 9 | Actuator | PPS body | 1 | PND (a) |
|----|-------------|-----------|-------|---------|
| 8 | Bracket | SCS13A | 1 | |
| 7 | Joint | SUS304 | 1 | |
| 6 | Joint | SCS13A | 1 | |
| 5 | Packing | R-PTFE | 1set | |
| 4 | Stem | SUS316 | 1 | |
| 3 | Seat | R-PTFE | 2 | |
| 2 | Ball | SCS14A | 1 | |
| 1 | Body | SCS14A | 1 | |
| No | DESCRIPTION | MATERIALS | REQ'D | REMARKS |

| | | | | | | | | | | |
|-----------|------|----|--|-----------|-------|--|---------|------------------|--|--|
| | | | APPR'D | K.Y | TITLE | J10K Flanged-end (double-acting type) BR type pneumatic actuated ball valve | | | | |
| | | | CHK'D | K.Y | | | | | | |
| | | | DESIGN | | MODEL | PNDBR9*1UUG | | | | |
| | | | DRAWN | T.A | | | | | | |
| MARK | DATE | BY | DATE | '22-12-05 | SCALE | NON | DWG No. | BR-9*1UUG-NA1-EN | | |
| REVISIONS | | |  NIPPON VALVE CONTROLS, INC. | | | | | | | |
| MV-2987 | | | | | | | | | | |