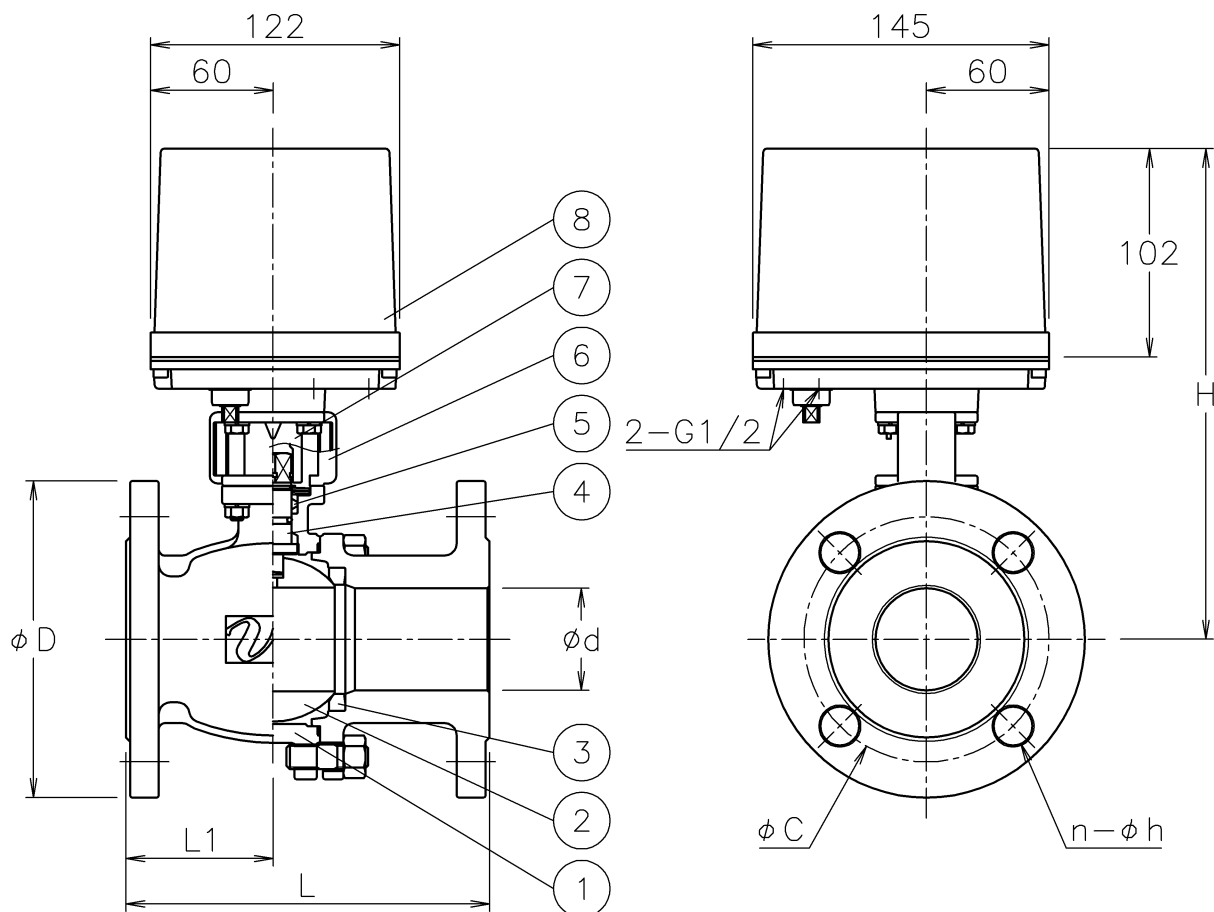


| Size [mm] | d | L | L1 | D | C | n-h | H | Weight [kg] | Actuator | Sizing code |
|-----------|----|-----|------|-----|-----|------|-----|-------------|----------|-------------|
| 15 | 15 | 108 | 40 | 95 | 70 | 4-15 | 207 | 4.2 | ECR-120 | 0 |
| | | | | | | | | 4.6 | ECR-360 | 2 |
| 20 | 20 | 117 | 48 | 100 | 75 | 4-15 | 210 | 4.7 | ECR-120 | 0 |
| | | | | | | | | 5.1 | ECR-360 | 2 |
| 25 | 25 | 127 | 48.5 | 125 | 90 | 4-19 | 217 | 6 | ECR-120 | 0 |
| | | | | | | | | 6.4 | ECR-360 | 2 |
| 32 | 32 | 140 | 60 | 135 | 100 | 4-19 | 223 | 7.6 | ECR-360 | 0 |
| 40 | 40 | 165 | 67.5 | 140 | 105 | 4-19 | 232 | 8.8 | ECR-360 | 0 |
| 50 | 50 | 178 | 72 | 155 | 120 | 4-19 | 241 | 11 | ECR-360 | 0 |




NOTE

Actuator material: Aluminum alloy diecast cover.

ATTACHMENT

Cable gland (nylon), G1/2, for 6φ to 12φ cable.
Plug.

| 8 | Actuator | | 1 | |
|----|-------------|-----------|-------|---------|
| 7 | Joint | SUS304 | 1 | |
| 6 | Bracket | SCS13A | 1 | |
| 5 | Packing | R-PTFE | 1set | |
| 4 | Stem | SUS316 | 1 | |
| 3 | Seat | F-PTFE | 2 | |
| 2 | Ball | SCS14A | 1 | |
| 1 | Body | SCS14A | 1 | |
| No | DESCRIPTION | MATERIALS | REQ'D | REMARKS |

| | | | | | | | | | | | |
|-----------|------|----|--|-----------|-------|--|---------|-----------------|--|--|--|
| | | | APPR'D | H.F | TITLE | J10K Flanged-end BR type electric emergency shut off ball valve | | | | | |
| | | | CHK'D | K.Y | | | | | | | |
| | | | DESIGN | | MODEL | ECRBR**1UUF | | | | | |
| | | | DRAWN | S.O | | | | | | | |
| MARK | DATE | BY | DATE | '18-06-25 | SCALE | NON | DWG No. | BR-*1UUF-EC6-EN | | | |
| REVISIONS | | |  NIPPON VALVE CONTROLS, INC. | | | | | | | | |
| MV-2713 | | | | | | | | | | | |