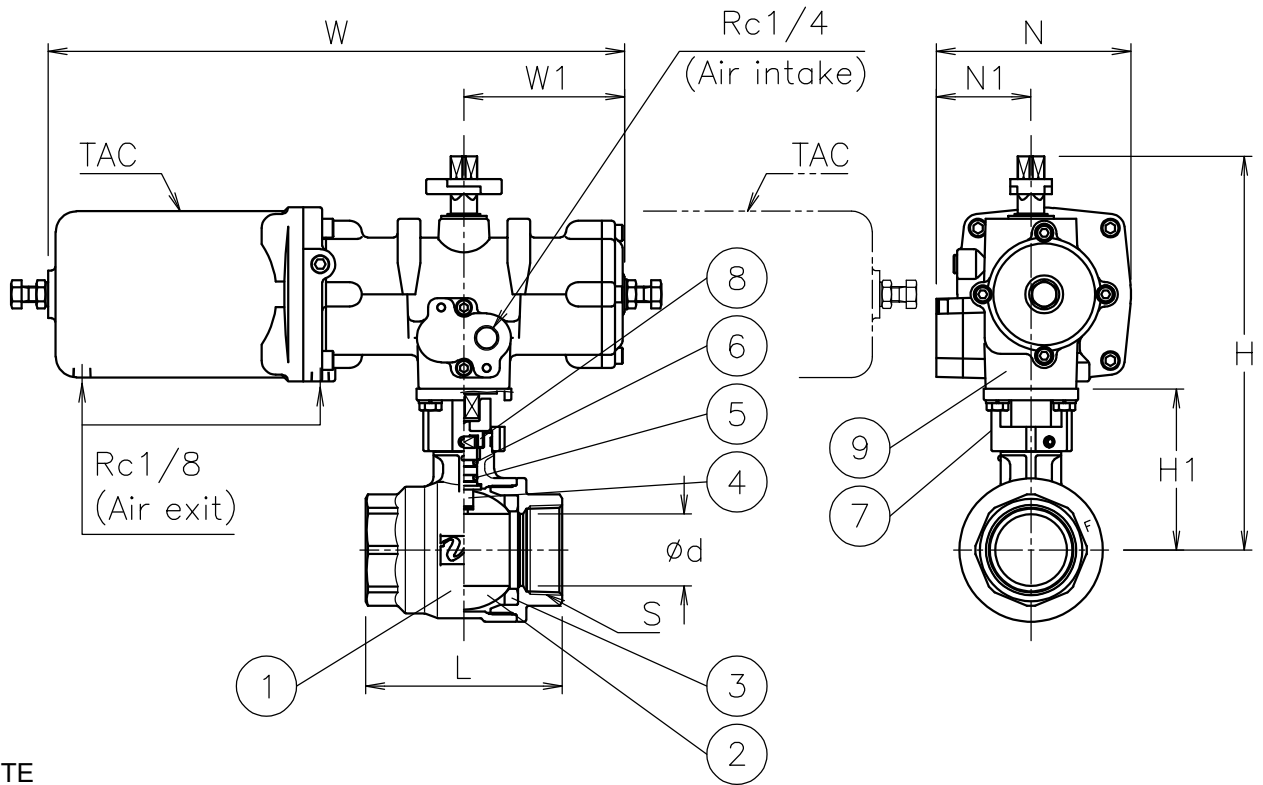


Size [mm]	S	d	L	H1	W	W1	N	N1	H	Weight [kg]	Actuator		Sizing code
											TAO-040	TAC-040	
15	Rc 1/2	16	63	44	249	55	92	46	134	2.9	TAO-040	TAC-040	0
20	Rc 3/4	20	72	51	249	55	92	46	140	3	TAO-040	TAC-040	0
25	Rc 1	25	86	61	249	55	92	46	151	3.3	TAO-040	TAC-040	0
32	Rc1 1/4	32	96	80	305	85	103	50	203	4.5	TAO-050	TAC-050	0
40	Rc1 1/2	38.1	104	86	305	85	103	50	209	5	TAO-050	TAC-050	0

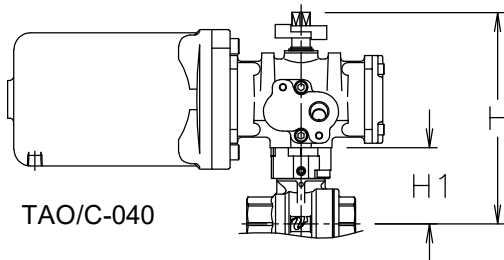


NOTE

- 1) Air supply: 0.4 to 0.5 Mpa. Max 0.7 Mpa.
- 2) Actuator operation

	Air to intake port	Spring return
TAO	OPEN	SHUT
TAC	SHUT	OPEN

*Only as for TAC-040,
a cylinder direction becomes the same as TAO.



9	Actuator		1	TAO/C
8	Joint	SUS304	1	
7	Bracket	ZDC2	1	
6	O-ring	NBR	1	
5	O-ring	FKM	1	
4	Stem	SUS316	1	Cr plated
3	Seat	PTFE	2	
2	Ball	SCS14A/SUS316	1	
1	Body	SCS14A	1	
No	DESCRIPTION	MATERIALS	REQ'D	REMARKS

			APPR'D	K.Y	TITLE	Threaded End Rc (single-acting type) EJ type pneumatic actuated ball valve						
			CHK'D	K.Y		MODEL	TAOEJ905UUT TACEJ905UUT					
			DESIGN		DRAWN							
				S.O								
MARK	DATE	BY	DATE	'24-03-08	SCALE		NON	DWG No.	EJ-905UUT-TD1-EN			
REVISIONS												
MV-3053												