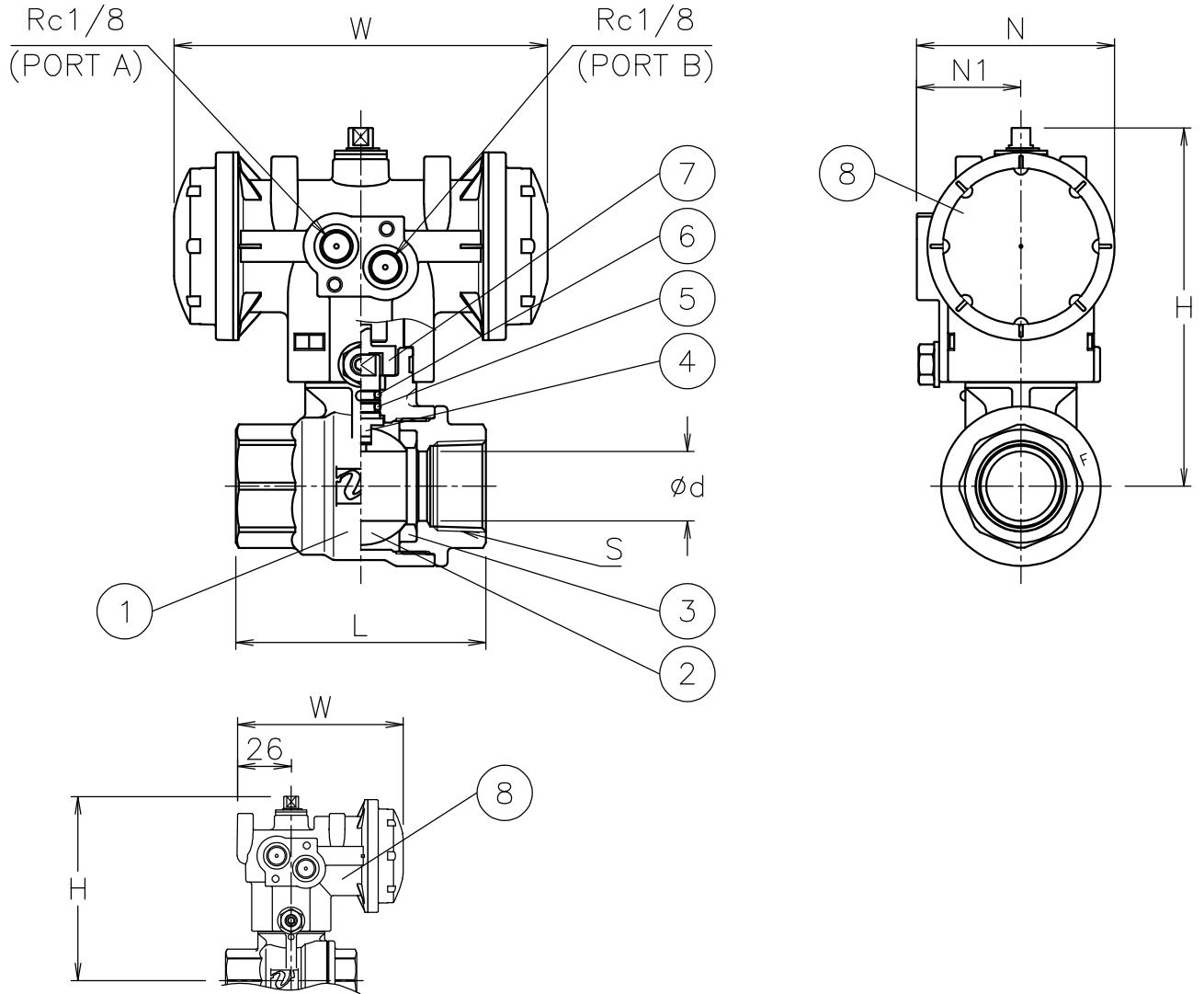


Size [mm]	S	d	L	W	N	N1	H	Weight [kg]	Actuator	Sizing code
15	Rc 1/2	16	63	80	57	30	89	0.8	PND-03S	0
20	Rc 3/4	20	72	108	57	30	103	1.1	PND-03D	0
25	Rc 1	25	86	108	57	30	114	1.4	PND-03D	0
32	Rc1 1/4	32	96	128	68	36	136	1.9	PND-04D	0
40	Rc1 1/2	38.1	104	128	68	36	142	2.4	PND-04D	0



PNDEJ905UUT-015

NOTE

- (a) Coupling OD must be less than 14.5 mm.
 1) Air supply: 0.4 to 0.5 Mpa. Max 0.7 Mpa.
 2) Actuator operation
 Air to port A: SHUT.
 Air to port B: OPEN.

8	Actuator	PPS body	1	PND (a)
7	Joint	SUS304	1	
6	O-ring	NBR	1	
5	O-ring	FKM	1	
4	Stem	SUS316	1	Cr plated
3	Seat	PTFE	2	
2	Ball	SCS14A/SUS316	1	
1	Body	SCS14A	1	
No	DESCRIPTION	MATERIALS	REQ'D	REMARKS

			APPR'D	K.Y	TITLE	Threaded End Rc (double-acting type) EJ type pneumatic actuated ball valve					
			CHK'D	K.Y							
			DESIGN		MODEL	PNDEJ905UUT					
			DRAWN	S.O							
MARK	DATE	BY	DATE	'24-03-08	SCALE	NON	DWG No.	EJ-905UUT-NA1-EN			
REVISIONS											
MV-3053											



NIPPON VALVE CONTROLS, INC.