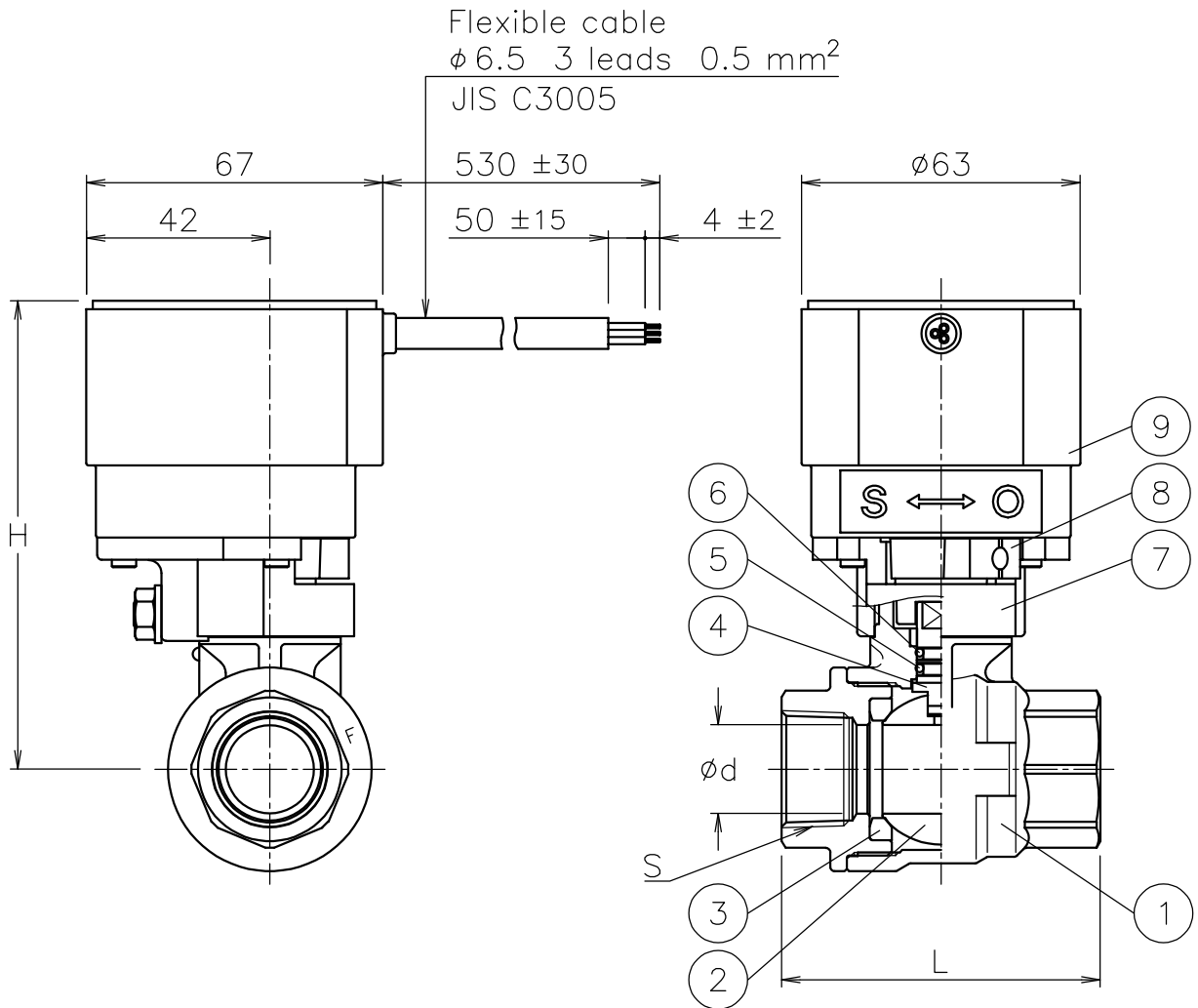



Size [mm]	S	d	L	H	Weight [kg]	Actuator	Sizing code
15	Rc 1/2	16	63	100	0.9	PM1-030	0
20	Rc 3/4	20	72	106	1.1	PM1-030	0



9	Actuator	PC Case	1	
8	Joint	PPS	1	
7	Bracket	PPS	1	
6	O-ring	NBR	1	
5	O-ring	FKM	1	
4	Stem	SUS316	1	Cr plated
3	Seat	PTFE	2	
2	Ball	SCS14A/SUS316	1	
1	Body	SCS14A	1	
No	DESCRIPTION	MATERIALS	REQ'D	REMARKS

			APPR'D	K.Y	TITLE	Threaded End Rc EJ type motorized ball valve			
			CHK'D	K.Y					
			DESIGN		MODEL	PM1EJ*05UUT			
			DRAWN	S.O					
MARK	DATE	BY	DATE	'24-03-06	SCALE	NON	DWG No.	EJ-05UUT-PM1-EN	
REVISIONS			 NIPPON VALVE CONTROLS, INC.						
MV-3053									