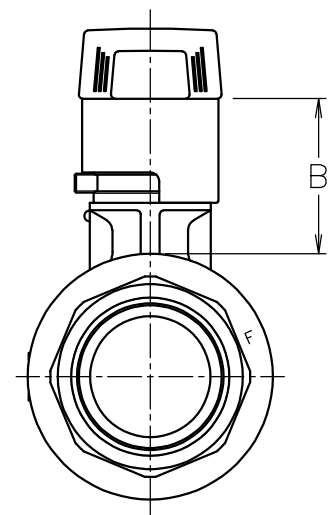
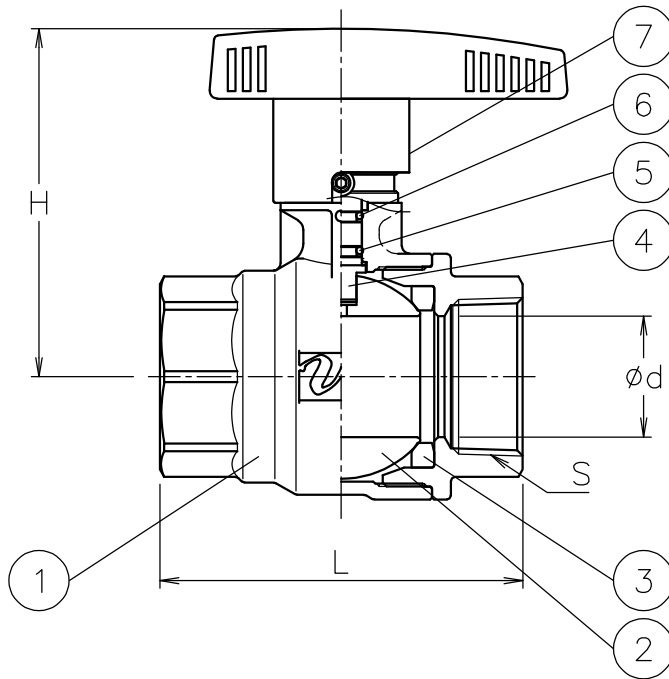
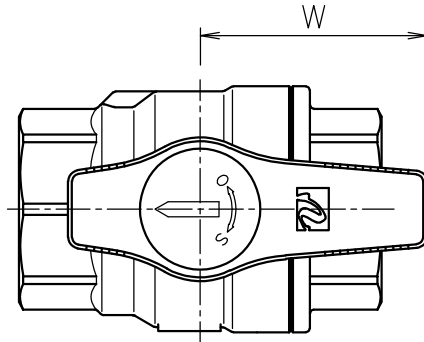



Size [mm]	S	d	L	W	B	H	Weight [kg]	Actuator
15	Rc 1/2	16	63	40	32	64	0.5	Lever
20	Rc 3/4	20	72	40	35	71	0.7	Lever
25	Rc 1	25	86	60	41	87	1	Lever
32	Rc1 1/4	32	96	60	41	92	1.4	Lever
40	Rc1 1/2	38.1	104	60	42	98	1.8	Lever



7	Lever handle	SPS	1	
6	O-ring	NBR	1	
5	O-ring	FKM	1	
4	Stem	SUS316	1	Cr plated
3	Seat	PTFE	2	
2	Ball	SCS14A/SUS316	1	
1	Body	SCS14A	1	
No	DESCRIPTION	MATERIALS	REQ'D	REMARKS

			APPR'D	K.Y	TITLE	Threaded End Rc EJ type ball valve			
			CHK'D	K.Y					
			DESIGN		MODEL	MACEJT-5UUT			
			DRAWN	S.O					
MARK	DATE	BY	DATE	'24-03-08	SCALE	NON	DWG No.	EJ-5UUT-MA1-EN	
REVISIONS			 NIPPON VALVE CONTROLS, INC.						
MV-3053									