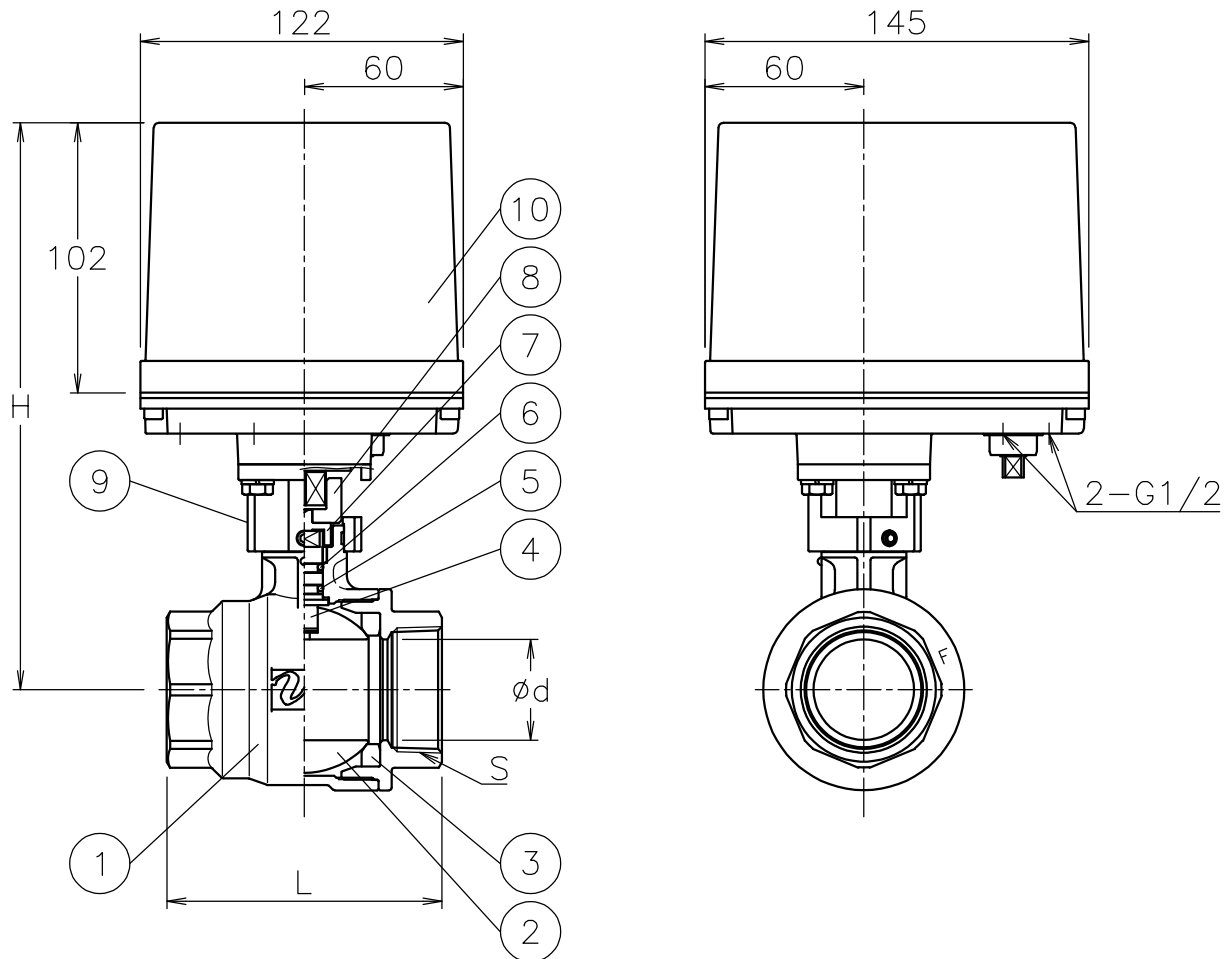



Size [mm]	S	d	L	H	Weight [kg]	Actuator	Sizing code
15	Rc 1/2	16	63	186	2.9	ECR-120	0
20	Rc 3/4	20	72	192	3	ECR-120	0
25	Rc 1	25	86	203	3.3	ECR-120	0
32	Rc1 1/4	32	96	209	3.7	ECR-120	0
40	Rc1 1/2	38.1	104	215	4.2	ECR-120	0



NOTE
ATTACHMENT
Cable gland (nylon), G1/2, for 6φ to 12φ cable.
Plug.

10	Actuator		1	
9	Bracket	ZDC2	1	
8	Joint	ZDC2	1	
7	Joint	SUS304	1	
6	O-ring	NBR	1	
5	O-ring	FKM	1	
4	Stem	SUS316	1	Cr plated
3	Seat	PTFE	2	
2	Ball	SCS14A/SUS316	1	
1	Body	SCS14A	1	
No	DESCRIPTION	MATERIALS	REQ'D	REMARKS

			APPR'D	K.Y	TITLE	Threaded End Rc EJ type electric emergency shut off ball valve			
			CHK'D	K.Y					
			DESIGN		MODEL	ECREJ*05UUT			
			DRAWN	S.O					
MARK	DATE	BY	DATE	'24-03-06	SCALE	NON	DWG No.	EJ-05UUT-EC1-EN	
REVISIONS			 NIPPON VALVE CONTROLS, INC.						
MV-3053									