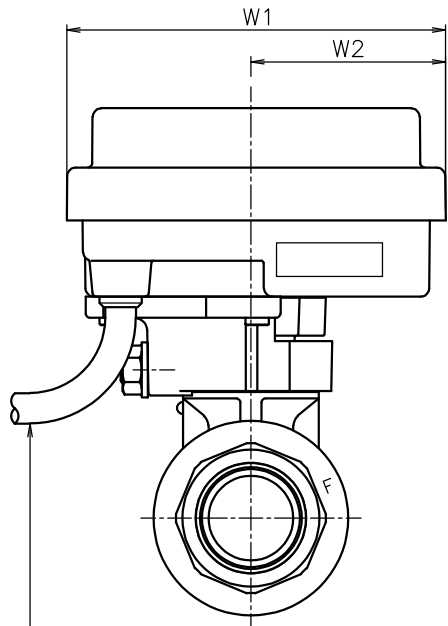
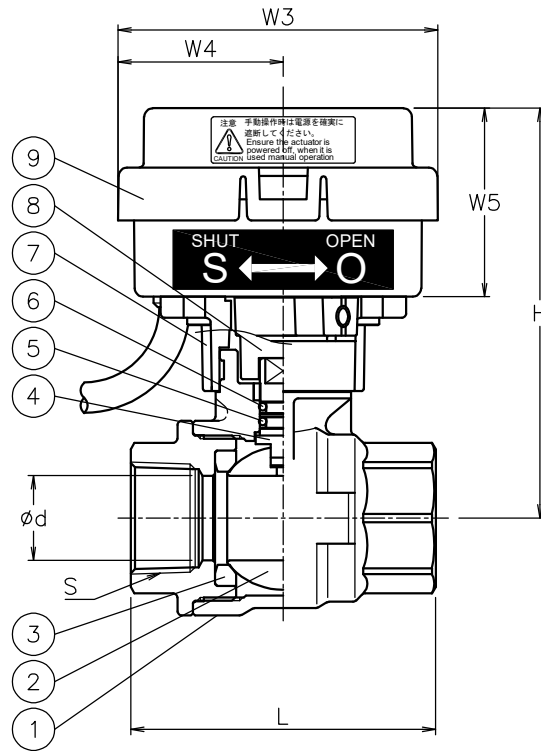


Size [mm]	S	d	L	W1	W2	W3	W4	CD2			CM1, CM2			Actuator			Sizing code
								W5	H	kg	W5	H	kg	CD2-030	CM1-030	CM2-030	
15	Rc 1/2	16	63	90	46	76	39	44.5	91	1	44.5	91	0.9	CD2-030	CM1-030	CM2-030	0
20	Rc 3/4	20	72	90	46	76	39	44.5	97	1.2	44.5	97	1.1	CD2-030	CM1-030	CM2-030	0
25	Rc 1	25	86	105	55	96	48	84	151	1.6	61	128	1.7	CD2-070	CM1-070	CM2-070	0
32	Rc1 1/4	32	96	105	55	96	48	84	157	2	61	134	2.1	CD2-070	CM1-070	CM2-070	0

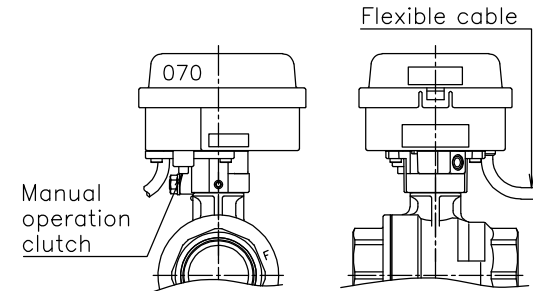


Flexible cable
5 leads 0.5 mm² L=500 mm




NOTE

For manual operation on CD/CM-070, press the clutch button while operating it.



CD2 (CM*) EJ*05UUT-025
CD2 (CM*) EJ*05UUT-032

No	DESCRIPTION	MATERIALS	REQ'D	REMARKS
9	Actuator	PC Case	1	
8	Joint	PPS	1	
7	Bracket	PPS	1	
6	O-ring	NBR	1	
5	O-ring	FKM	1	
4	Stem	SUS316	1	Cr plated
3	Seat	PTFE	2	
2	Ball	SCS14A/SUS316	1	
1	Body	SCS14A	1	

MARK	DATE	BY	DATE	'24-03-05	SCALE	NON	DWG No.	EJ-05UUT-CD1-EN
REVISIONS								
MV-3053								
				 NIPPON VALVE CONTROLS, INC.				