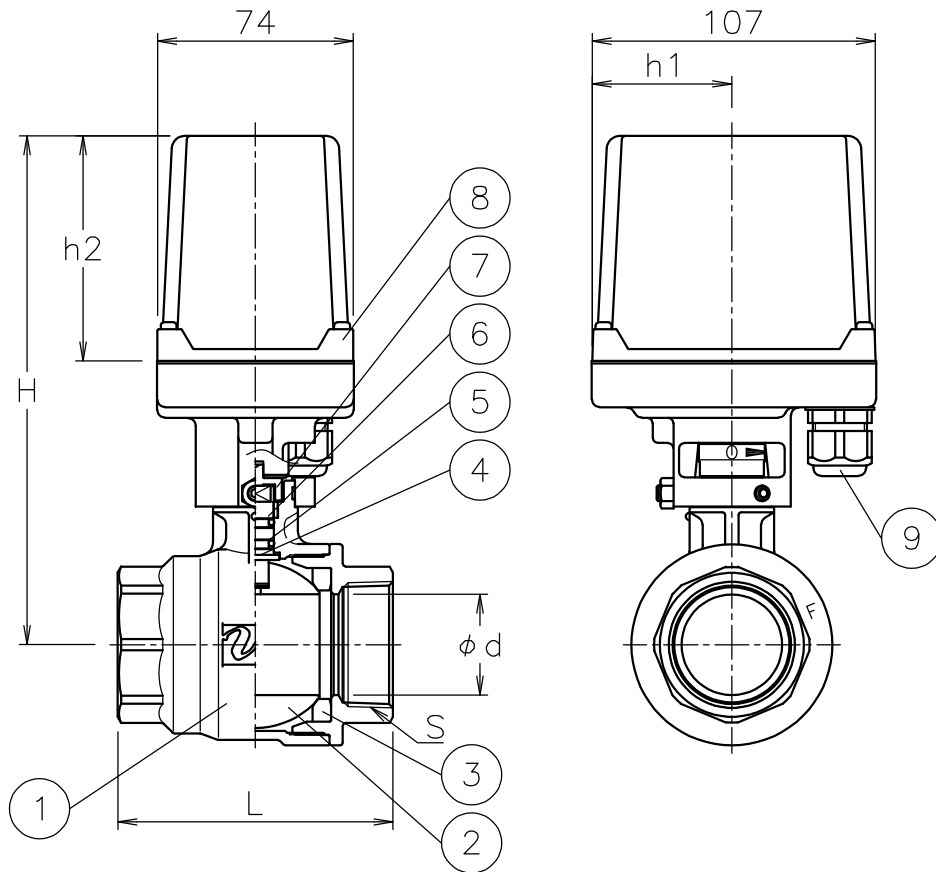



Size [mm]	S	d	L	h1	h2	H	Weight [kg]	Actuator		Sizing code
15	Rc 1/2	16	63	36	58	123	1.4	AM1-030	AM2-030	0
20	Rc 3/4	20	72	36	58	129	1.6	AM1-030	AM2-030	0
25	Rc 1	25	86	36	58	140	1.8	AM1-070	AM2-070	0
32	Rc1 1/4	32	96	36	58	146	2.2	AM1-070	AM2-070	0
40	Rc1 1/2	38.1	104	53	85	193	3.2	AM1-180	AM2-180	0



NOTE

(a) Cable acceptance 5φ to 10.5φ mm.

9	Cable gland	NYLON 6	1	G3/8 (a)
8	Actuator	ADC12/PC Cover	1	
7	Joint	SUS304	1	
6	O-ring	NBR	1	
5	O-ring	FKM	1	
4	Stem	SUS316	1	Cr plated
3	Seat	PTFE	2	
2	Ball	SCS14A/SUS316	1	
1	Body	SCS14A	1	
No	DESCRIPTION	MATERIALS	REQ'D	REMARKS

			APPR'D	K.Y	TITLE	Threaded End Rc EJ type motorized ball valve					
			CHK'D	K.Y							
			DESIGN		MODEL	AM1EJ*05UUT AM2EJ*05UUT					
			DRAWN	S.O							
MARK	DATE	BY	DATE	'24-03-06	SCALE	NON	DWG No.	EJ-05UUT-AM1-EN			
REVISIONS			 NIPPON VALVE CONTROLS, INC.								
MV-3053											