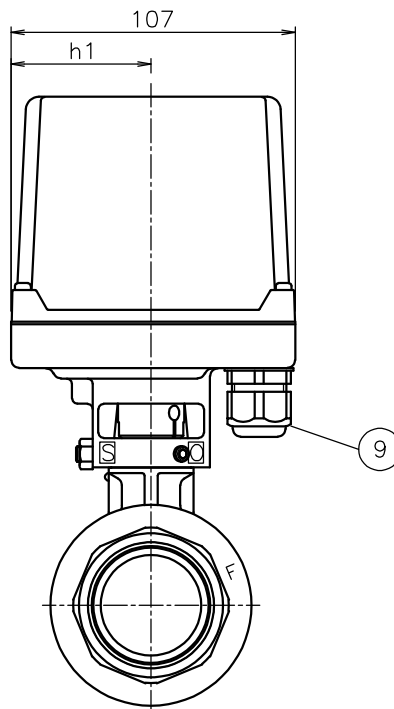
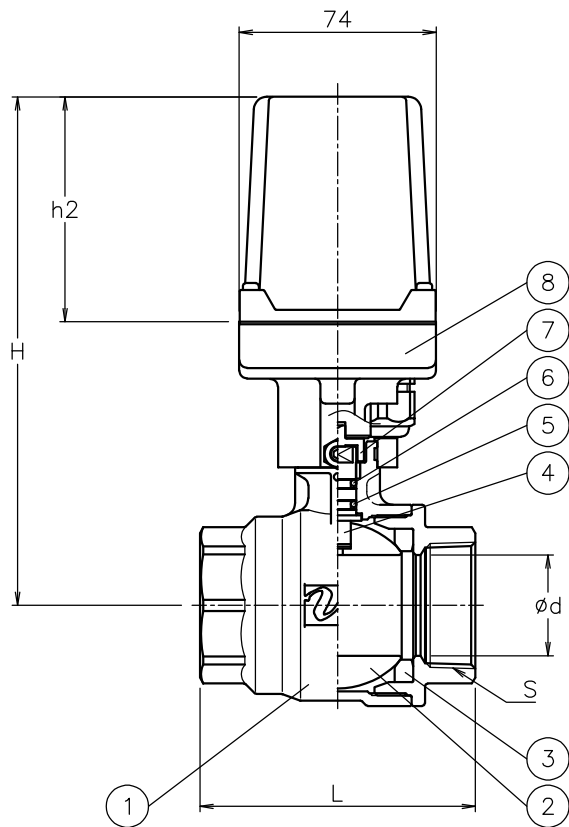



Size [mm]	S	d	L	h1	AH1, DM0				DM2			Actuator			Sizing code
					h2	H	kg		h2	H	kg				
							AH1	DM0							
15	Rc 1/2	16	63	36	85	150	1.5	1.7	58	123	1.3	AH1-030	DM0-030	DM2-030	0
20	Rc 3/4	20	72	36	85	156	1.7	1.9	58	129	1.5	AH1-030	DM0-030	DM2-030	0
25	Rc 1	25	86	36	85	167	2.1	2.1	85	167	2.1	AH1-070	DM0-070	DM2-070	0
32	Rc1 1/4	32	96	36	85	173	2.5	2.5	85	173	2.5	AH1-070	DM0-070	DM2-070	0
40	Rc1 1/2	38.1	104	53	85	193	3.4	3.2	85	193	3.2	AH1-180	DM0-180	DM2-180	0



NOTE
(a) Cable acceptance 5φ to 10.5φ mm.

No	DESCRIPTION	MATERIALS	REQ'D	REMARKS
9	Cable gland	NYLON 6	1	G3/8 (a)
8	Actuator	ADC12/PC Cover	1	
7	Joint	SUS304	1	
6	O-ring	NBR	1	
5	O-ring	FKM	1	
4	Stem	SUS316	1	Cr plated
3	Seat	PTFE	2	
2	Ball	SCS14A/SUS316	1	
1	Body	SCS14A	1	

			APPR'D	K.Y	TITLE	Threaded End Rc					
			CHK'D	K.Y		EJ type motorized ball valve					
			DESIGN		MODEL	AH1EJ*05UUT DM0EJ005UUT DM2EJ005UUT					
			DRAWN	S.O							
MARK	DATE	BY	DATE	'24-03-06	SCALE	NON	DWG No.	EJ-05UUT-CM1-EN			
REVISIONS											
MV-3053								 NIPPON VALVE CONTROLS, INC.			