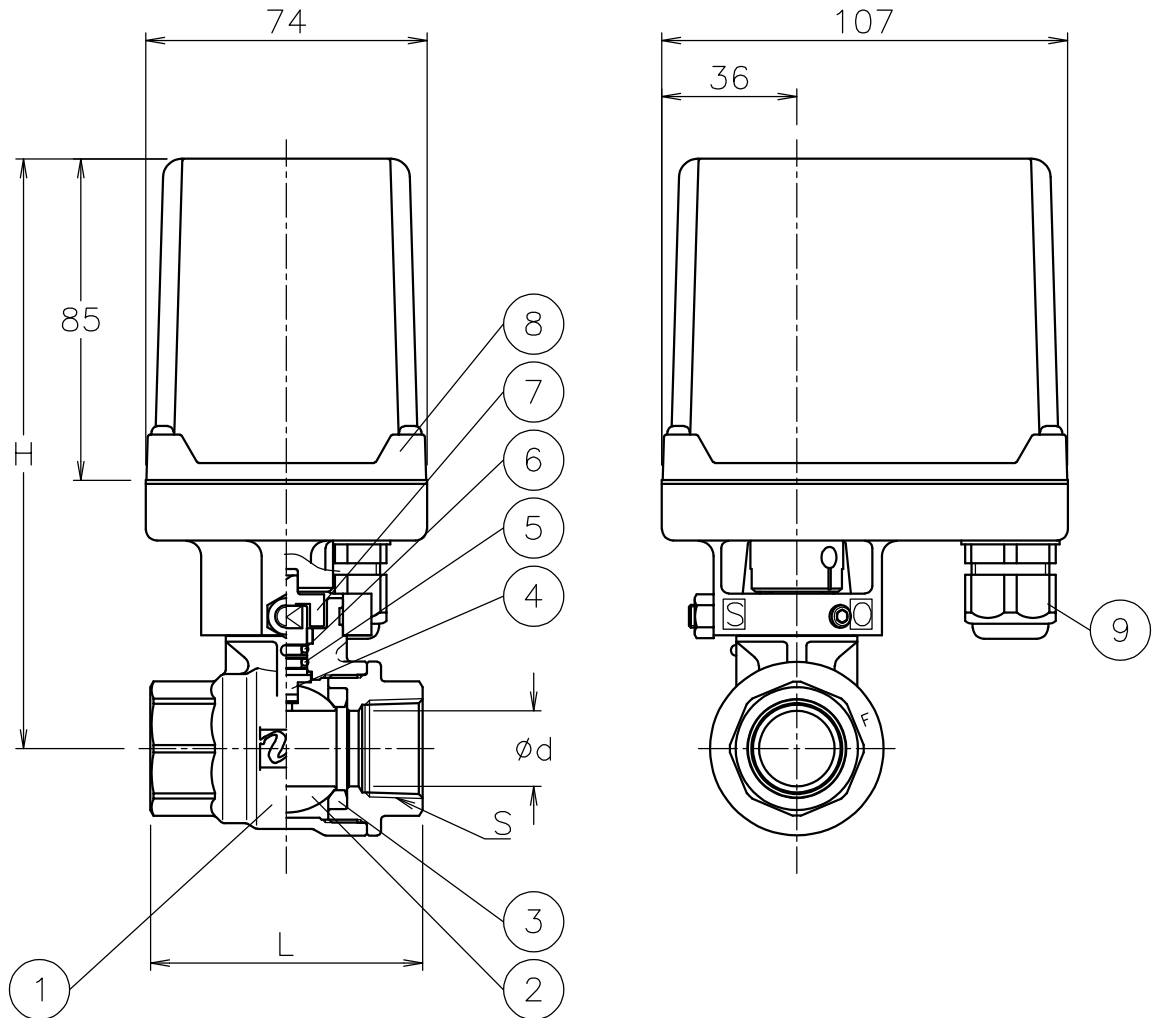



Size [mm]	S	d	L	H	Weight [kg]	Actuator	Sizing code
15	Rc 1/2	16	63	150	1.4	ACR-030	0
20	Rc 3/4	20	72	156	1.6	ACR-030	0



NOTE

(a) Cable acceptance 5ϕ to 10.5ϕ mm.

9	Cable gland	NYLON 6	1	G3/8 (a)
8	Actuator	ADC12/PC Cover	1	
7	Joint	SUS304	1	
6	O-ring	NBR	1	
5	O-ring	FKM	1	
4	Stem	SUS316	1	Cr plated
3	Seat	PTFE	2	
2	Ball	SCS14A/SUS316	1	
1	Body	SCS14A	1	
No	DESCRIPTION	MATERIALS	REQ'D	REMARKS

			APPR'D	K.Y	TITLE	Threaded End Rc EJ type electric emergency shut off ball valve			
			CHK'D	K.Y					
			DESIGN		MODEL	ACREJ205UUT			
			DRAWN	S.O					
MARK	DATE	BY	DATE	'24-03-06	SCALE	NON	DWG No.	EJ-05UUT-AC1-EN	
REVISIONS			 NIPPON VALVE CONTROLS, INC.						
MV-3053									