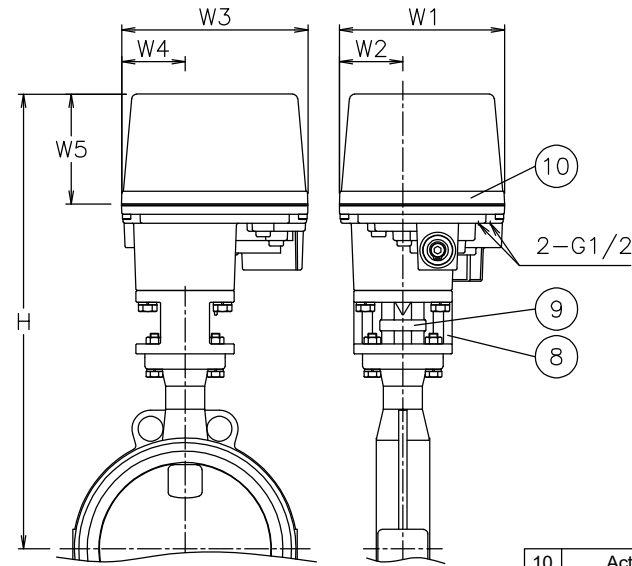
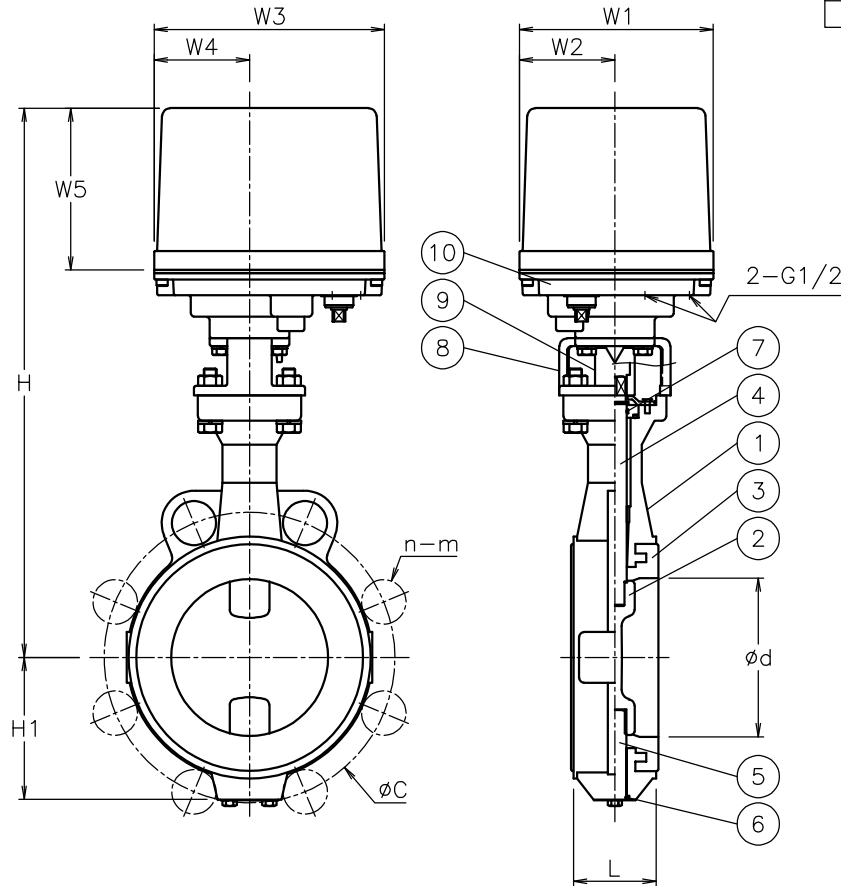


Size [mm]	d	L	C	n-m	H1	W1	W2	W3	W4	W5	H	Weight [kg]	Cv	Actuator		Sizing code
40	45	33	105	4-M16	53	122	60	145	60	102	280	4	101	AE1-300	AE2-300	0
50	55	43	120	4-M16	61	122	60	145	60	102	295	4.3	236	AE1-300	AE2-300	0
65	65	46	140	4-M16	69	122	60	145	60	102	305	4.6	313	AE1-300	AE2-300	0
80	80	46	150	8-M16	79	122	60	145	60	102	331	4.9	469	AE1-600	AE2-600	0
100	99	52	175	8-M16	94	122	60	145	60	102	346	5.5	777	AE1-600	AE2-600	0
125	124	56	210	8-M20	109	160	97	175	63	115	432	13	1251	AE1-02K	AE2-02K	0
150	150	56	240	8-M20	124	160	97	175	63	115	447	14	2372	AE1-02K	AE2-02K	0
200	200	60	290	12-M20	160	160	97	175	63	115	477	18	4480	AE1-02K	AE2-02K	0
						195	75	220	75	130	537	23		AE1-06K	AE2-06K	2
250	251	68	355	12-M22	207	195	75	220	75	130	575	29	6830	AE1-06K	AE2-06K	0
300	298	78	400	16-M22	233	195	75	220	75	130	611	34	9280	AE1-06K	AE2-06K	0



AE*FE*21LTB-200
 AE*FE*01LTB-250
 AE*FE*01LTB-300

No	DESCRIPTION	MATERIALS	REQ'D	REMARKS
10	Actuator		1	
9	Joint	SUS304/SCS13A	1	
8	Bracket	SCS13A	1	
7	O-ring	NBR	1set	
6	O-ring	NBR	1	
5	Pin	SUS410	1	
4	Stem	SUS410	1	
3	Seat	NBR	1	
2	Disc	SCS13A	1	
1	Body	ADC12	1	

NOTE
 ATTACHMENT
 Cable gland (nylon), G1/2, for 6φ to 12φ cable.
 Plug.

MARK	DATE	BY	DATE	'23-07-13	SCALE	NON	DWG No.	FE-*1LTB-AE2-EN
REVISIONS								
MV-3022								
				APPR'D	H.F	TITLE		
				CHK'D	K.Y	J10K Flanged-end (Wafer) FE type motorized butterfly valve		
				DESIGN		MODEL		
				DRAWN	S.O	AE1FE**1LTB AE2FE**1LTB		
						FE-*1LTB-AE2-EN		