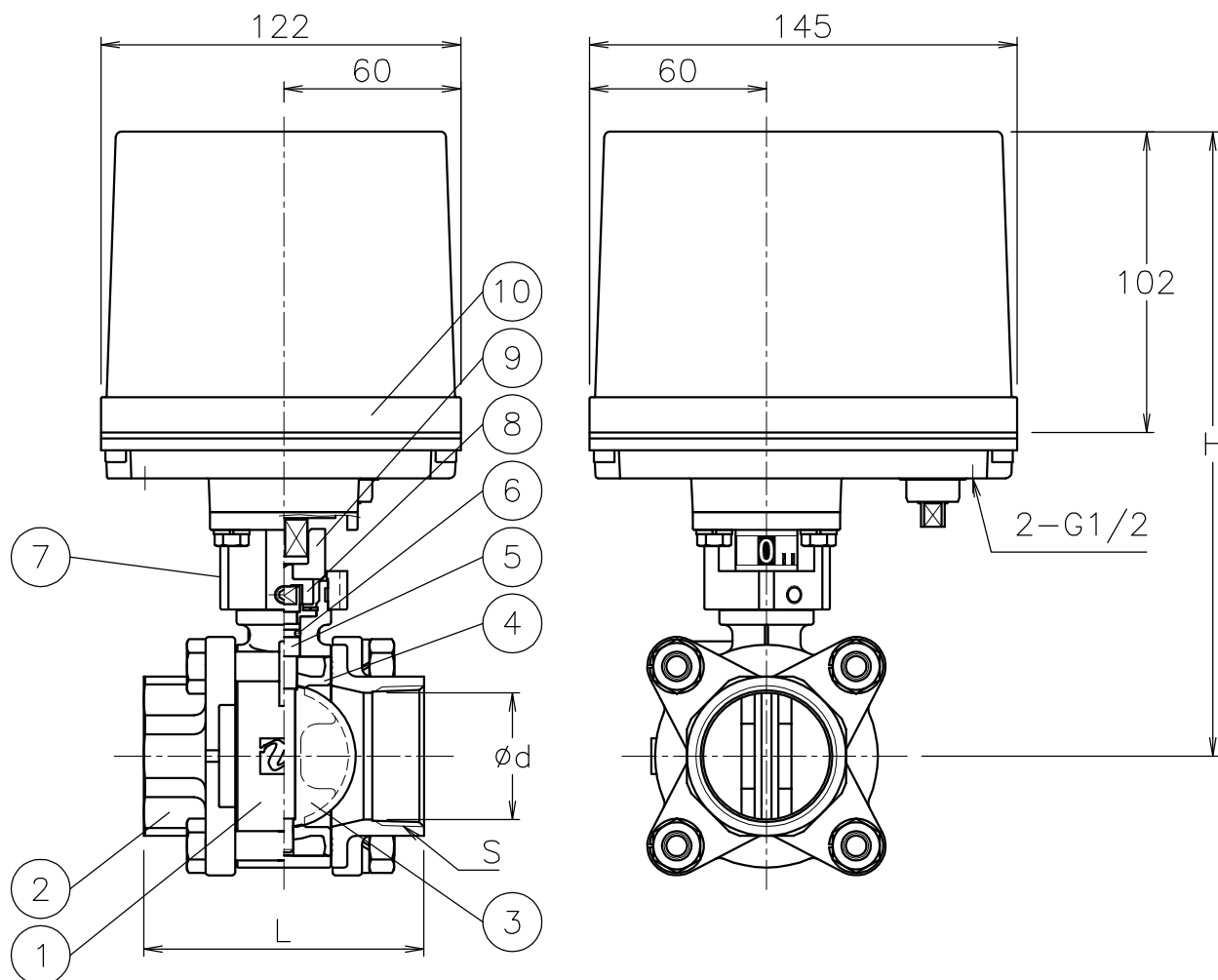


Size [mm]	S	d	L	H	Weight [kg]	Cv	Actuator	Sizing code
15	Rc 1/2	17	59	192	2.9	7	PEX-120	0
20	Rc 3/4	23	66	195	3	19	PEX-120	0
25	Rc 1	28	78	200	3.2	28	PEX-120	0
32	Rc1 1/4	31	87	200	3.4	28	PEX-120	0
40	Rc1 1/2	43	95	212	3.9	86	PEX-120	0
50	Rc 2	48	109	212	4.4	86	PEX-120	0




NOTE

Actuator material: Aluminum alloy diecast cover.

ATTACHMENT

Cable gland (nylon), G 1/2, for 6φ to 12φ cable.
Plug.

10	Actuator		1	
9	Joint	ZDC-2	1	
8	Joint	SUS304/PPS	1	
7	Bracket	ZDC-2	1	
6	O-ring	EPDM	1	
5	Stem	SUS316	1	
4	Seat	EPDM	1	
3	Disc	PPS	1	
2	Cap	SCS14A	2	
1	Body	SCS13A	1	
No	DESCRIPTION	MATERIALS	REQ'D	REMARKS

			APPR'D	H.F	TITLE	Threaded End Rc Z type electric actuated control valve				
			CHK'D	K.Y		MODEL	PEXZ-*05TUE			
			DESIGN		SCALE		NON	DWG No.	Z-05TUE-PE1-EN	
MARK	DATE	BY	DATE	'17-03-03						
	REVISIONS									
	MV-2591		 NIPPON VALVE CONTROLS, INC.							