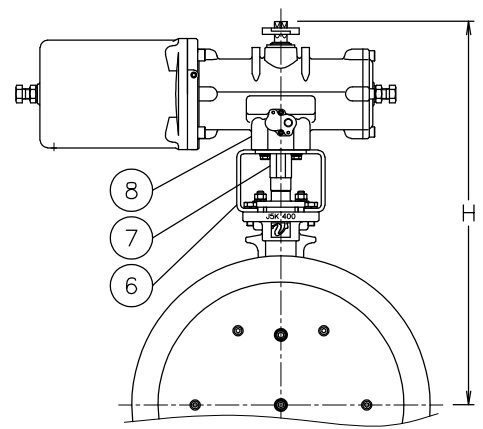
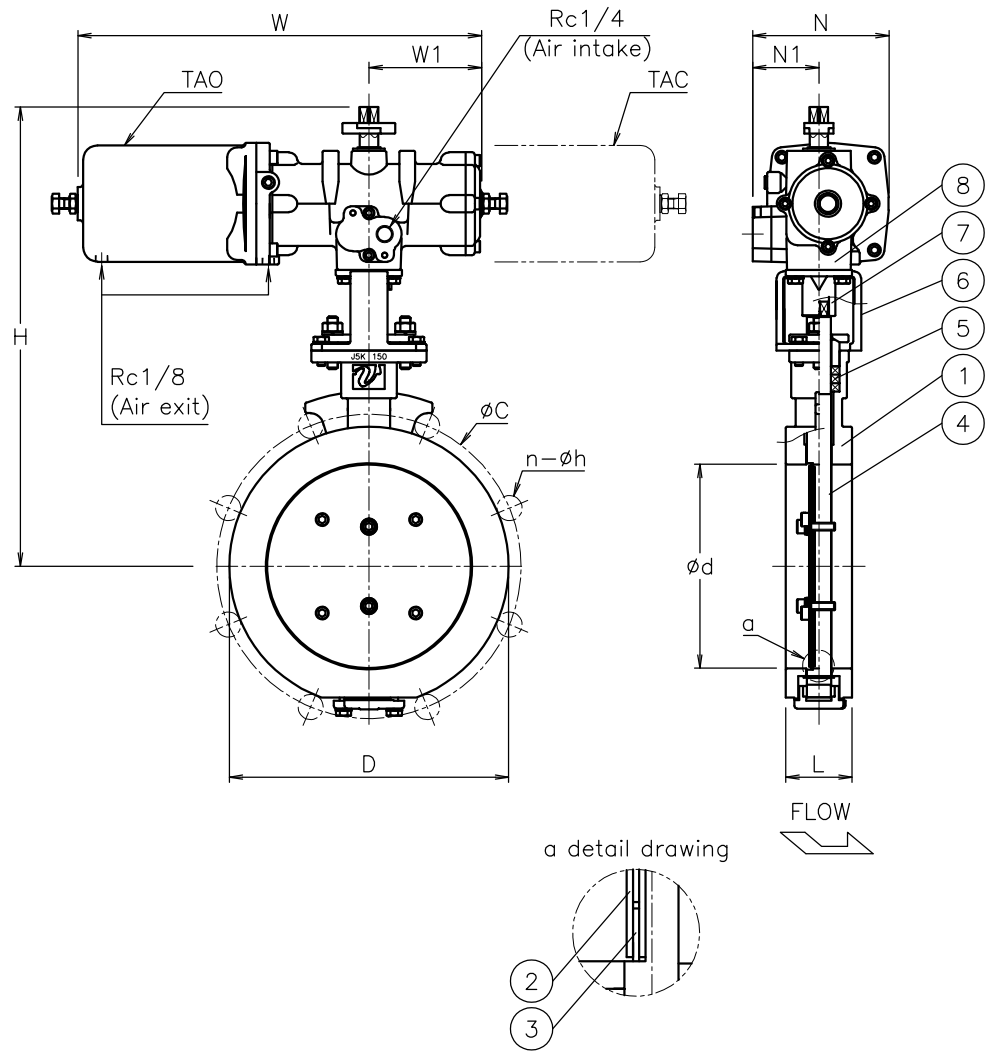


Size (mm)	d	L	D	C	n-h	W	W1	N	N1	H	Weight (kg)	Cv	Actuator		Sizing code
40	40	40	80	95	4-15	305	85	103	50	255	4.3	85	TAO-050	TAC-050	0
50	50	40	90	105	4-15	305	85	103	50	260	4.5	145	TAO-050	TAC-050	0
65	65	40	115	130	4-15	305	85	103	50	272	4.8	290	TAO-050	TAC-050	0
80	80	50	126	145	4-19	305	85	103	50	304	5.8	450	TAO-050	TAC-050	0
100	105	50	146	165	8-19	305	85	103	50	315	6.1	780	TAO-050	TAC-050	0
						367	102	119	52	330	8		TAO-063	TAC-063	2
125	130	50	181	200	8-19	305	85	103	50	333	6.9	1200	TAO-050	TAC-050	0
						367	102	119	52	348	8.8		TAO-063	TAC-063	2
150	154	50	211	230	8-19	305	85	103	50	347	8.4	1800	TAO-050	TAC-050	0
						367	102	119	52	362	11		TAO-063	TAC-063	2
200	204	50	257	280	8-23	305	85	103	50	370	9.9	3200	TAO-050	TAC-050	0
						367	102	119	52	385	12		TAO-063	TAC-063	2
250	253	50	322	345	12-23	367	102	119	52	407	15	5100	TAO-063	TAC-063	0
						435	120	142	59	472	19		TAO-080	TAC-080	2
300	300	55	367	390	12-23	367	102	119	52	433	19	7200	TAO-063	TAC-063	0
						435	120	142	59	498	23		TAO-080	TAC-080	2
350	340	70	410	435	12-25	435	120	142	59	527	31	8900	TAO-080	TAC-080	0
						530	147	174	71	580	39		TAO-100	TAC-100	2
400	387	70	470	495	16-25	435	120	142	59	551	35	11000	TAO-080	TAC-080	0
						530	147	174	71	604	44		TAO-100	TAC-100	2



TA*WT922TGS-250
 TA*WT922TGS-300
 TA*WT922TGS-350
 TA*WT922TGS-400

NOTE

- 1) Air supply: 0.4 to 0.5 Mpa. Max 0.7 Mpa.
- 2) Actuator operation

	Air to intake port	Spring return
TAO	OPEN	SHUT
TAC	SHUT	OPEN

* This drawing is TAO.

No	DESCRIPTION	MATERIALS	REQ'D	REMARKS
8	Actuator		1	TAO/C
7	Joint	SUS304/SCS13A	1	
6	Bracket	SUS304/SCS13A	1	
5	Gland Packing	GRAPHITE	1	
4	Stem	SUS420J2	1	
3	Seal Ring	SUS316	1	
2	Disk	SUS410S/SUS420J2	1	
1	Body	SCS13A	1	

MARK	DATE	BY	DATE	'20-08-25	SCALE	NON	DWG No.	WT-9*2TGS-TD5-EN	
REVISIONS									
MV-2854									
APPR'D					H.F	TITLE			
CHK'D					K.Y	J5K Flanged-end (wafer, single-acting type) WT type pneumatic actuated damper			
DESIGN						MODEL			
DRAWN					S.O	TAOWT9*2TGS TACWT9*2TGS			