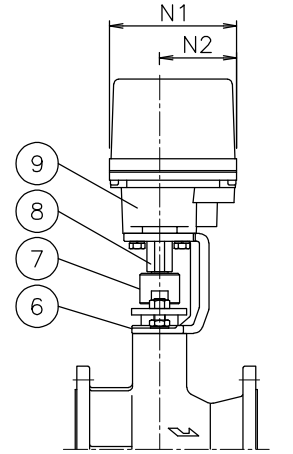
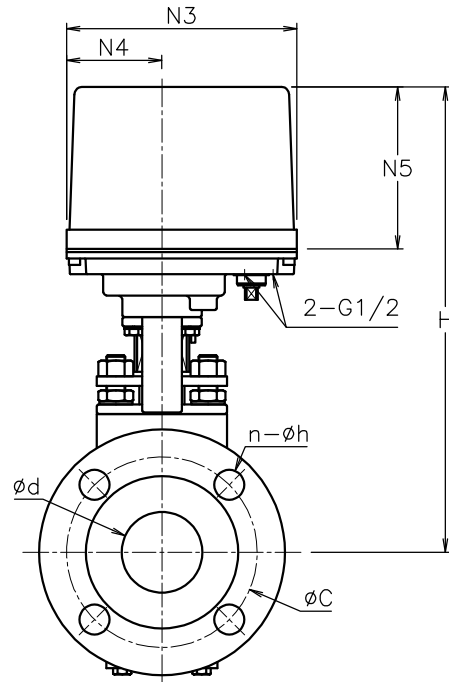
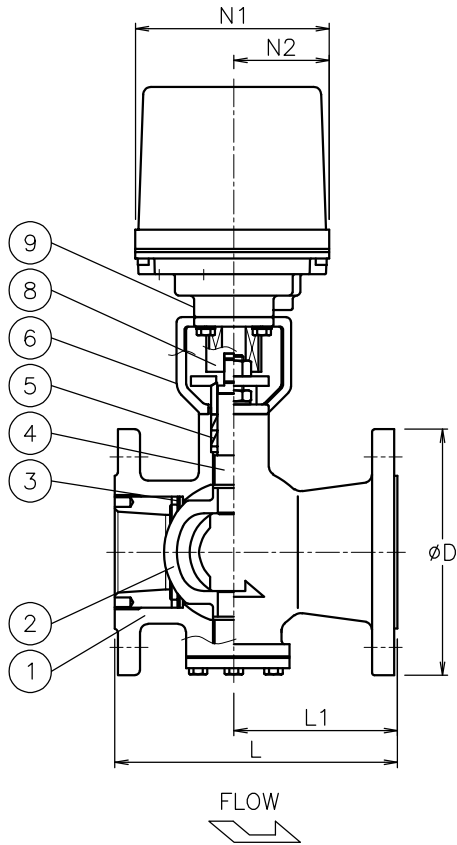
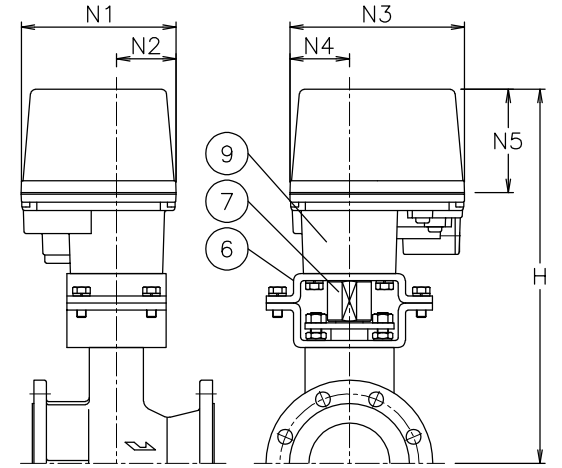


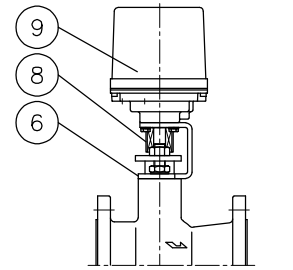
Size [mm]	d	L	L1	D	C	n-h	N1	N2	N3	N4	N5	H	Weight [kg]	Cv	Actuator	Sizing code
25	25	127	72	125	90	4-19	122	60	145	60	102	241	6.9	28	AEX-360	0
40	38	165	95	140	105	4-19	122	60	145	60	102	272	11	75	AEX-360	0
												288	11		AEX-700	2
50	51	178	103	155	120	4-19	122	60	145	60	102	293	13	153	AEX-700	0
65	64	190	110	175	140	4-19	122	60	145	60	102	325	18	250	AEX-700	1
												160	97		175	63
80	76	203	113	185	150	8-19	160	97	175	63	115	426	25	350	AEX-02K	0
												160	97		175	63
100	102	229	123	210	175	8-19	160	97	175	63	115	466	33	540	AEX-02K	0
												195	75		220	75



AEXV-\*01DUS-065  
AEXV-\*01DUS-080  
AEXV-\*01DUS-100



AEXV-\*21DUS-100



AEXV-\*11DUS-065

No	DESCRIPTION	MATERIALS	REQ'D	REMARKS
9	Actuator	SCS13A	1	
8	Joint	SUSXM7/LAK52	1	100A(Sizing code 2)
7	Joint	SUS304	1	080A
		SUS(LAK52)/SUS304		100A(Sizing code 0)
		SUS(LAK52)		065A
6	Bracket	SCPH2/SS400	1	025~050A
		SCPH2		100A
		SCPH2/SUS304		080A
		SCS13A		065A
5	Packing	PTFE	1	025~050A
4	Stem	SUS316	1	
3	Seat	SUS316	1	
2	Ball	SCS11	1	HCr PLTD
1	Body	FCD-S	1	NC

NOTE  
Actuator material: Aluminum alloy diecast cover.

ATTACHMENT  
Cable gland (nylon), G 1/2, for 6φ to 12φ cable.  
Plug.

MARK	DATE	BY	DATE	SCALE	NON	DWG No.	V-*1DUS-EXA10-EN
REVISIONS							
MV-3039							