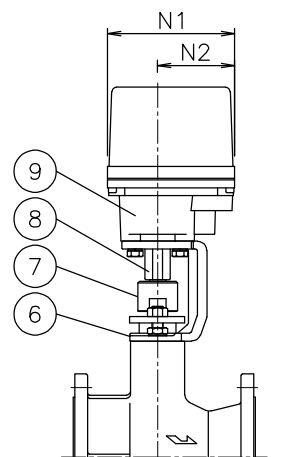
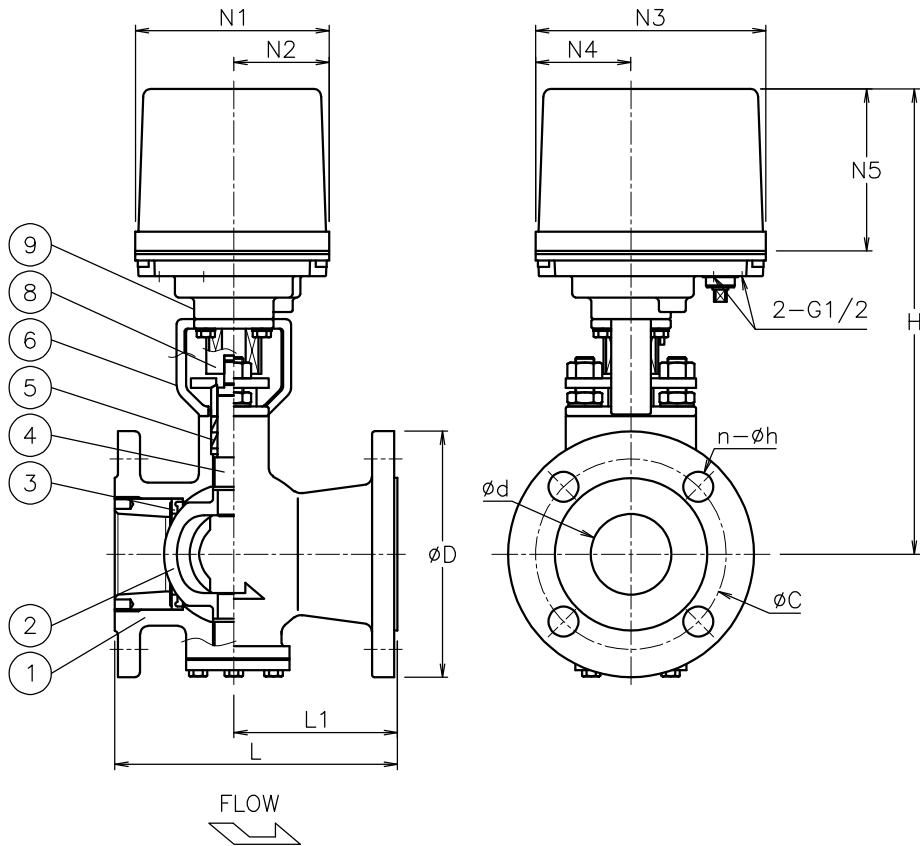
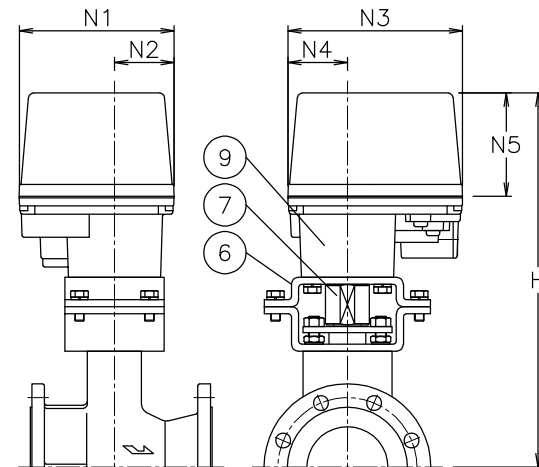


Size [mm]	d	L	L1	D	C	n-h	N1	N2	N3	N4	N5	H	Weight [kg]	Cv	Actuator	Sizing code
25	25	127	72	125	90	4-19	122	60	145	60	102	241	6.5	28	AEX-120	1
													6.9		AEX-360	0
40	38	165	95	140	105	4-19	122	60	145	60	102	272	75	AEX-360	0	
												288		AEX-700	2	
50	51	178	103	155	120	4-19	122	60	145	60	102	293	153	AEX-700	0	
							160	97	175	63	115	377		18	AEX-02K	2
65	64	190	110	175	140	4-19	160	97	175	63	115	421	24	250	AEX-02K	0
80	76	203	113	185	150	8-19	160	97	175	63	115	426	25	350	AEX-02K	0
100	102	229	123	210	175	8-19	160	97	175	63	115	466	540	AEX-02K	0	
							195	75	220	75	130	471		40	AEX-06K	2



AEXV-*21DUM-050
AEXV-*01DUM-065
AEXV-*01DUM-080
AEXV-*01DUM-100



AEXV-*21DUM-100

No	DESCRIPTION	MATERIALS	REQ'D	REMARKS
9	Actuator		1	
8	Joint	SCS13A	1	
7	Joint	SUSXM7/LAK52	1	100A(Sizing code 2)
		SUS304		065,080A
		SUS(LAK52)		100A(Sizing code 0)
6	Bracket	SCPH2/SS400	1	025~050A
		SCPH2		100A
		SCS13A		065,080A
				025~050A
5	Packing	PTFE	1	
4	Stem	SUS316	1	
3	Seat	SUS316	1	(Stellite)
2	Ball	SCS11	1	(Stellite)
1	Body	FCD-S	1	NC

NOTE
Actuator material: Aluminum alloy diecast cover.

ATTACHMENT
Cable gland (nylon), G 1/2, for 6φ to 12φ cable.
Plug.

MARK	DATE	BY	DATE	SCALE	NON	DWG No.	V-*1DUM-EXA10-EN
REVISIONS							
MV-3039							
				APPR'D	K.Y.	TITLE	
				CHK'D	K.Y.	J10K Flanged-end V type electric actuated control valve	
				DESIGN		MODEL	
				DRAWN	P.O.	AEXV-**1DUM	
				DATE	'23-11-17	V-*1DUM-EXA10-EN	