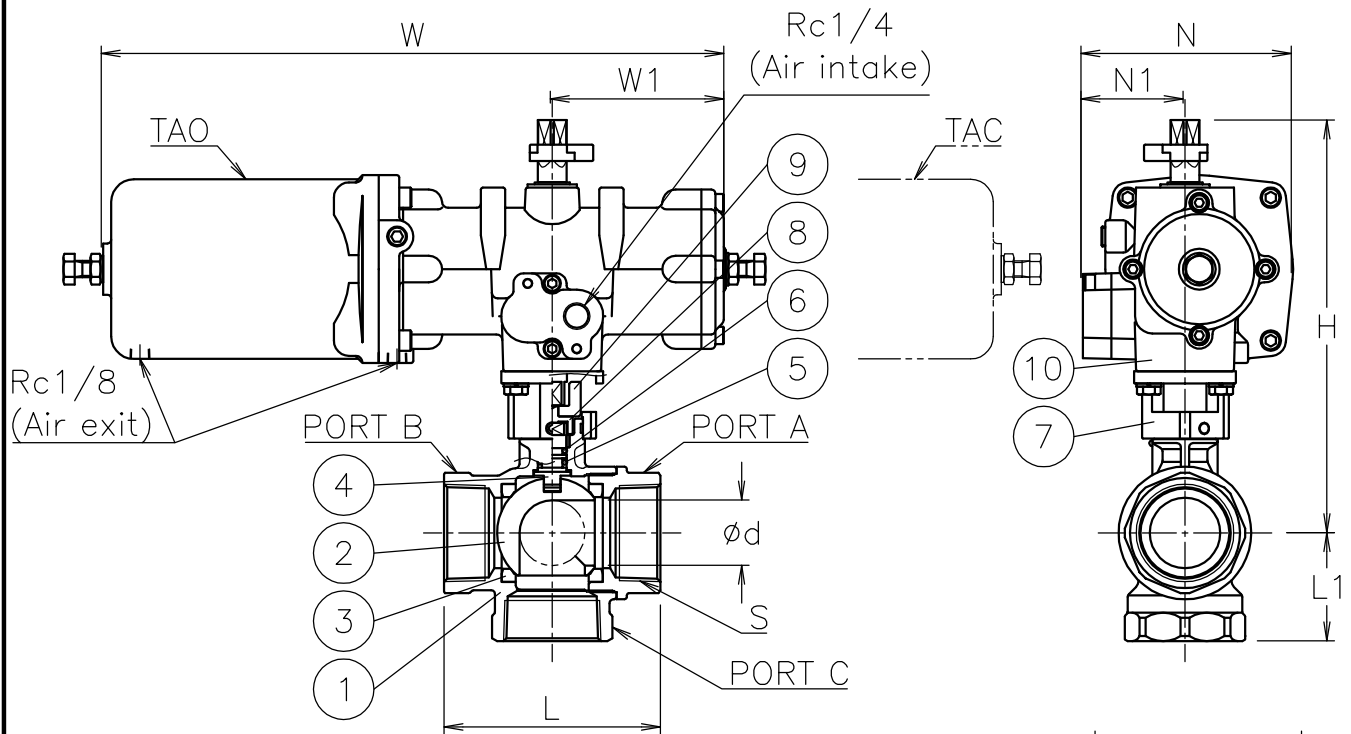


| Size [mm] | S | d | L | L1 | W | W1 | N | N1 | H | Weight [kg] | Cv P1/P2 | Actuator | | Sizing code |
|-----------|---------|----|-----|----|-----|----|-----|----|-----|-------------|----------|----------|---------|-------------|
| 15 | Rc 1/2 | 14 | 67 | 34 | 249 | 55 | 92 | 46 | 134 | 2.8 | 5 | TAO-040 | TAC-040 | 0 |
| 20 | Rc 3/4 | 18 | 70 | 35 | 249 | 55 | 92 | 46 | 147 | 2.9 | 8 | TAO-040 | TAC-040 | 0 |
| 25 | Rc1 | 20 | 81 | 41 | 305 | 85 | 103 | 50 | 195 | 4 | 13 | TAO-050 | TAC-050 | 0 |
| 32 | Rc1 1/4 | 25 | 93 | 46 | 305 | 85 | 103 | 50 | 197 | 4.3 | 22 | TAO-050 | TAC-050 | 0 |
| 40 | Rc1 1/2 | 32 | 106 | 53 | 305 | 85 | 103 | 50 | 203 | 4.7 | 36 | TAO-050 | TAC-050 | 0 |



NOTE

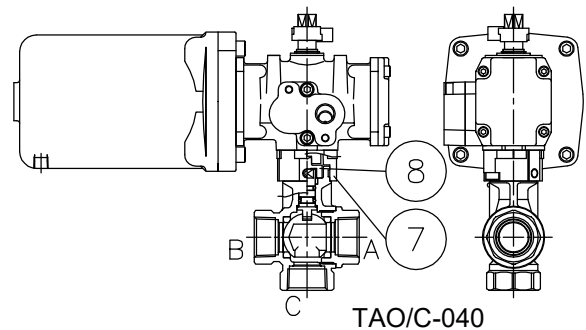
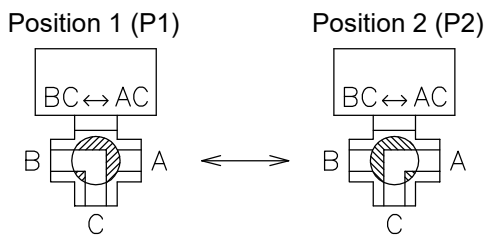
- 1) Air supply: 0.4 to 0.5 Mpa. Max 0.7 Mpa.
- 2) Actuator operation

| | |
|-----|---|
| TAO | Air to intake port: Position 2. Spring return: Position 1. |
| TAC | Air to intake port: Position 1. Spring return: Position 2. |

*This drawing is TAO.

*TAC-040 cylinder is the same design as TAO.

Flow paths



| 10 | Actuator | | 1 | TAO/C |
|----|-------------|---------------|-------|-----------|
| 9 | Joint | ZDC2 | 1 | |
| 8 | Joint | SUS304 | 1 | |
| 7 | Bracket | BERIC/ZDC2 | 1 | |
| 6 | O-ring | NBR | 1 | |
| 5 | O-ring | FKM | 1 | |
| 4 | Stem | SUS304 | 1 | Cr plated |
| 3 | Seat | R-PTFE | 2 | |
| 2 | Ball | SUS304/SCS13A | 1 | |
| 1 | Body | SCS13A | 1 | |
| No | DESCRIPTION | MATERIALS | REQ'D | REMARKS |

| | | | | | | | | | | | | | | |
|-----------|--|--|--------|-----|-------|---|------------------------------|----|------|-----------|-------|-----|---------|------------------|
| | | | APPR'D | H.F | TITLE | Threaded End Rc (single-acting type) TV type pneumatic actuated 3 way ball valve | | | | | | | | |
| | | | CHK'D | K.Y | | MODEL | TAOTV905TTP TACTV905TTP | | | | | | | |
| | | | DESIGN | | MARK | | DATE | BY | DATE | '17-05-18 | SCALE | NON | DWG No. | TV-905TTP-TD4-EN |
| | | | DRAWN | S.O | | | | | | | | | | |
| REVISIONS | | | | | | | | | | | | | | |
| MV-2620 | | | | | | | | | | | | | | |