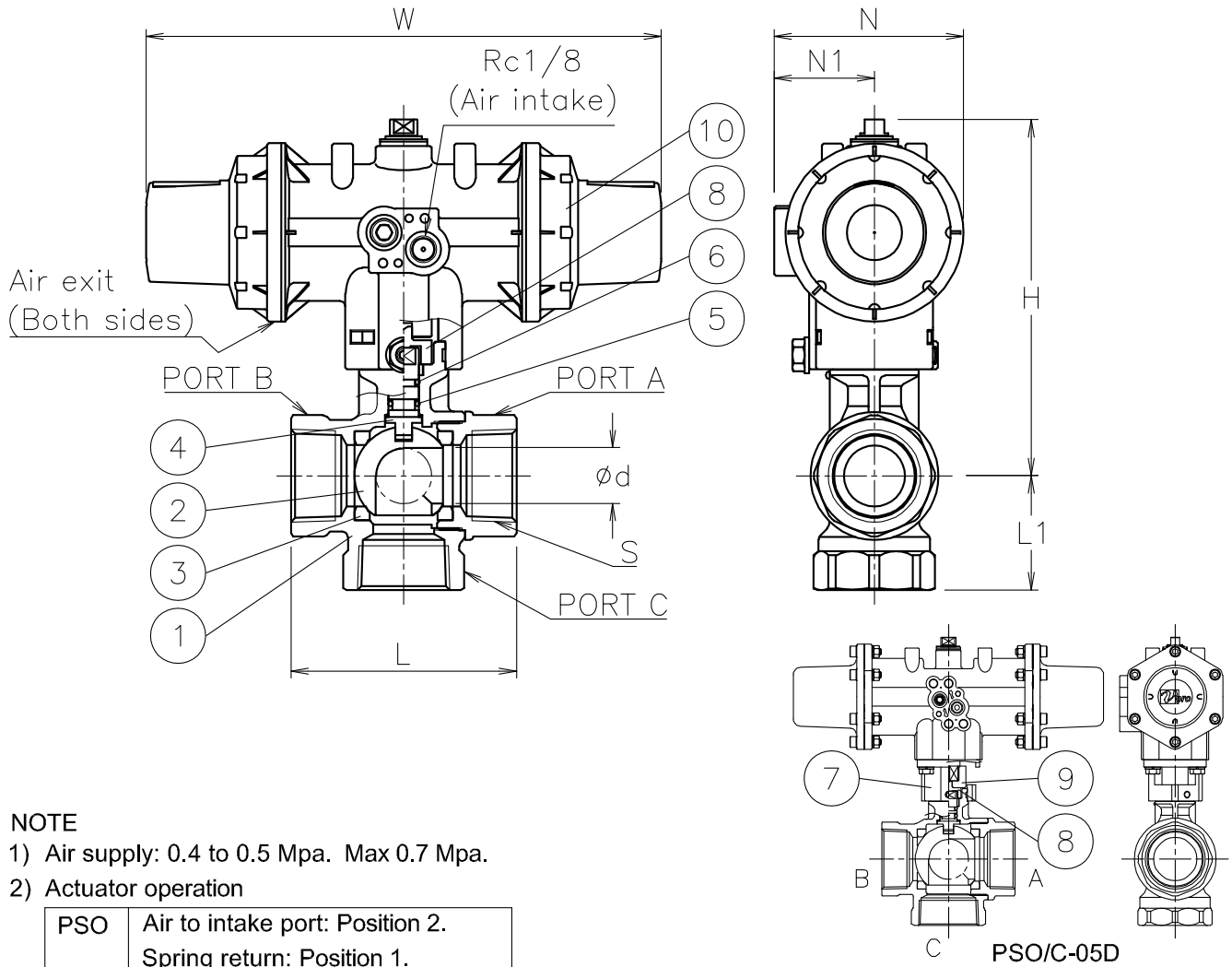


Size [mm]	S	d	L	L1	W	N	N1	H	Weight [kg]	Cv P1/P2	Actuator		Sizing code
15	Rc 1/2	14	67	34	160	57	30	98	0.7	5	PSO-03D	PSC-03D	0
20	Rc 3/4	18	70	35	185	68	36	127	1.2	8	PSO-04D	PSC-04D	0
25	Rc1	20	81	41	185	68	36	128	1.4	13	PSO-04D	PSC-04D	0
32	Rc1 1/4	25	93	46	247	82	44	171	2.5	22	PSO-05D	PSC-05D	0
40	Rc1 1/2	32	106	53	247	82	44	177	2.9	36	PSO-05D	PSC-05D	0

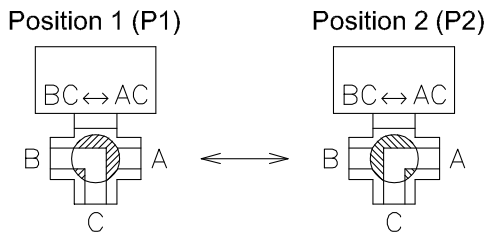


NOTE

- 1) Air supply: 0.4 to 0.5 Mpa. Max 0.7 Mpa.
- 2) Actuator operation

PSO	Air to intake port: Position 2. Spring return: Position 1.
PSC	Air to intake port: Position 1. Spring return: Position 2.

Flow paths



10	Actuator	PPS body	1	PSO/C
9	Joint	ZDC2	1	
8	Joint	SUS304	1	
7	Bracket	ZDC2	1	
6	O-ring	NBR	1	
5	O-ring	FKM	1	
4	Stem	SUS304	1	Cr plated
3	Seat	R-PTFE	2	
2	Ball	SUS304/SCS13A	1	
1	Body	SCS13A	1	
No	DESCRIPTION	MATERIALS	REQ'D	REMARKS

			APPR'D	K.Y	TITLE	Threaded End Rc (single-acting type) TV type pneumatic actuated 3 way ball valve		
			CHK'D	K.Y		MODEL	PSOTV905TTP PSCTV905TTP	
			DESIGN		SCALE		NON	DWG No.
			DRAWN	T.A				
MARK	DATE	BY	DATE	'22-12-09				
REVISIONS								
MV-2987								