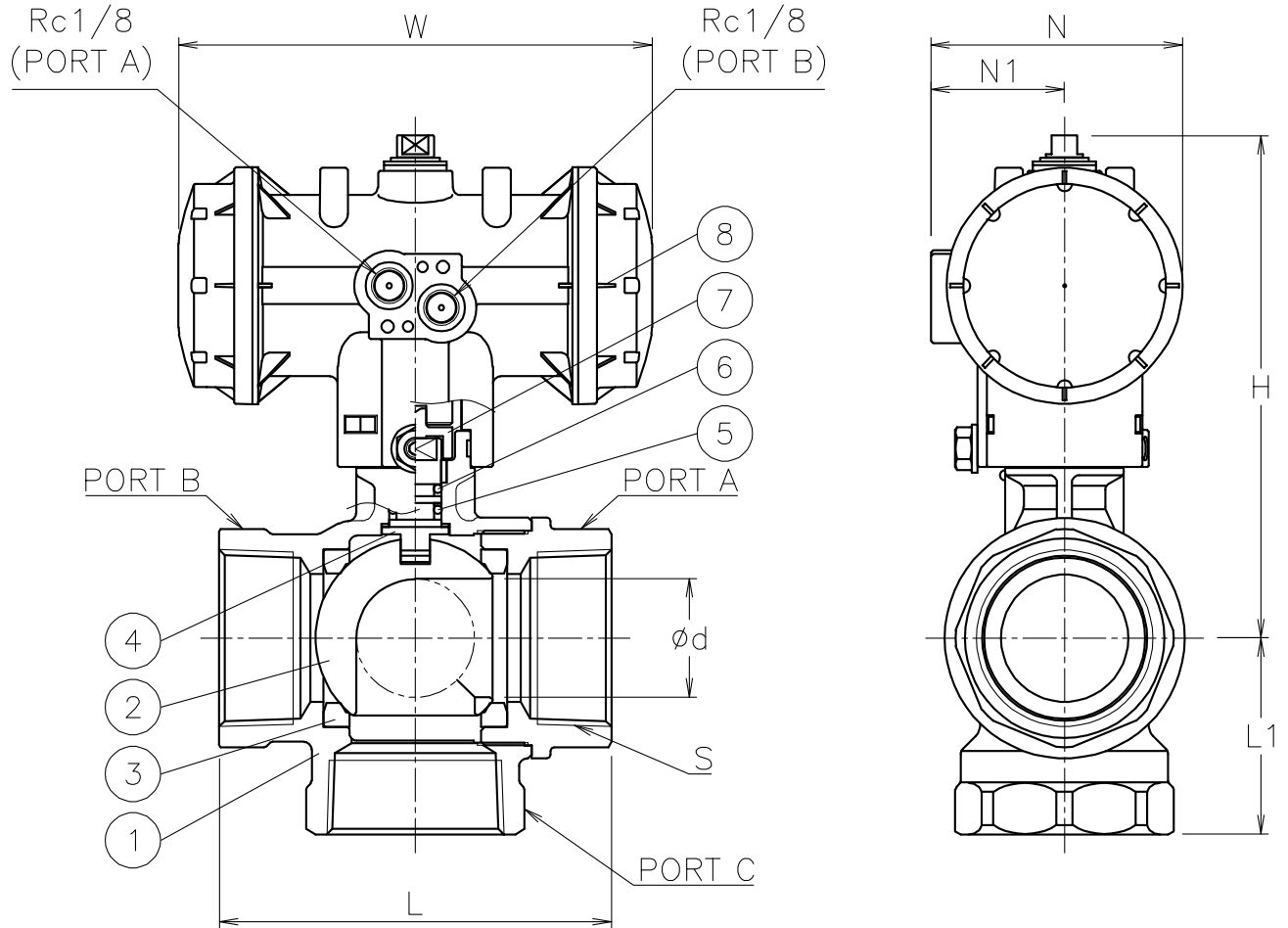


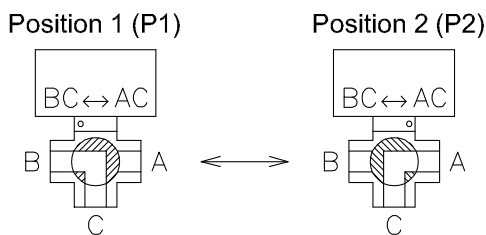
Size [mm]	S	d	L	L1	W	N	N1	H	Weight [kg]	Cv (P1/P2)	Actuator	Sizing code
15	Rc 1/2	14	67	34	108	57	30	98	0.6	5	PND-03D	0
20	Rc 3/4	18	70	35	108	57	30	111	0.8	8	PND-03D	0
25	Rc 1	20	81	41	108	57	30	112	1	13	PND-03D	0
32	Rc1 1/4	25	93	46	128	68	36	130	1.5	22	PND-04D	0
40	Rc1 1/2	32	106	53	128	68	36	136	1.9	36	PND-04D	0



NOTE

- 1) Air supply: 0.4 to 0.5 Mpa. Max 0.7 Mpa.
- 2) Actuator operation
Air to port A : Position 1.
Air to port B : Position 2.
- 3) Coupling OD must be less than 14.5φ.

Flow paths



8	Actuator	PPS body	1	PND
7	Joint	SUS304	1	
6	O-ring	NBR	1	
5	O-ring	FKM	1	
4	Stem	SUS304	1	Cr plated
3	Seat	R-PTFE	2	
2	Ball	SUS304/SCS13A	1	
1	Body	SCS13A	1	
No	DESCRIPTION	MATERIALS	REQ'D	REMARKS

			APPR'D	K.Y	TITLE	Threaded End Rc (double-acting type) TV type pneumatic actuated 3 way ball valve						
			CHK'D	K.Y								
			DESIGN		MODEL	PNDDTV905TTP						
			DRAWN	T.A								
MARK	DATE	BY	DATE	'22-12-09	SCALE	NON	DWG No.	TV-905TTP-NA1-EN				
REVISIONS												
MV-2987												