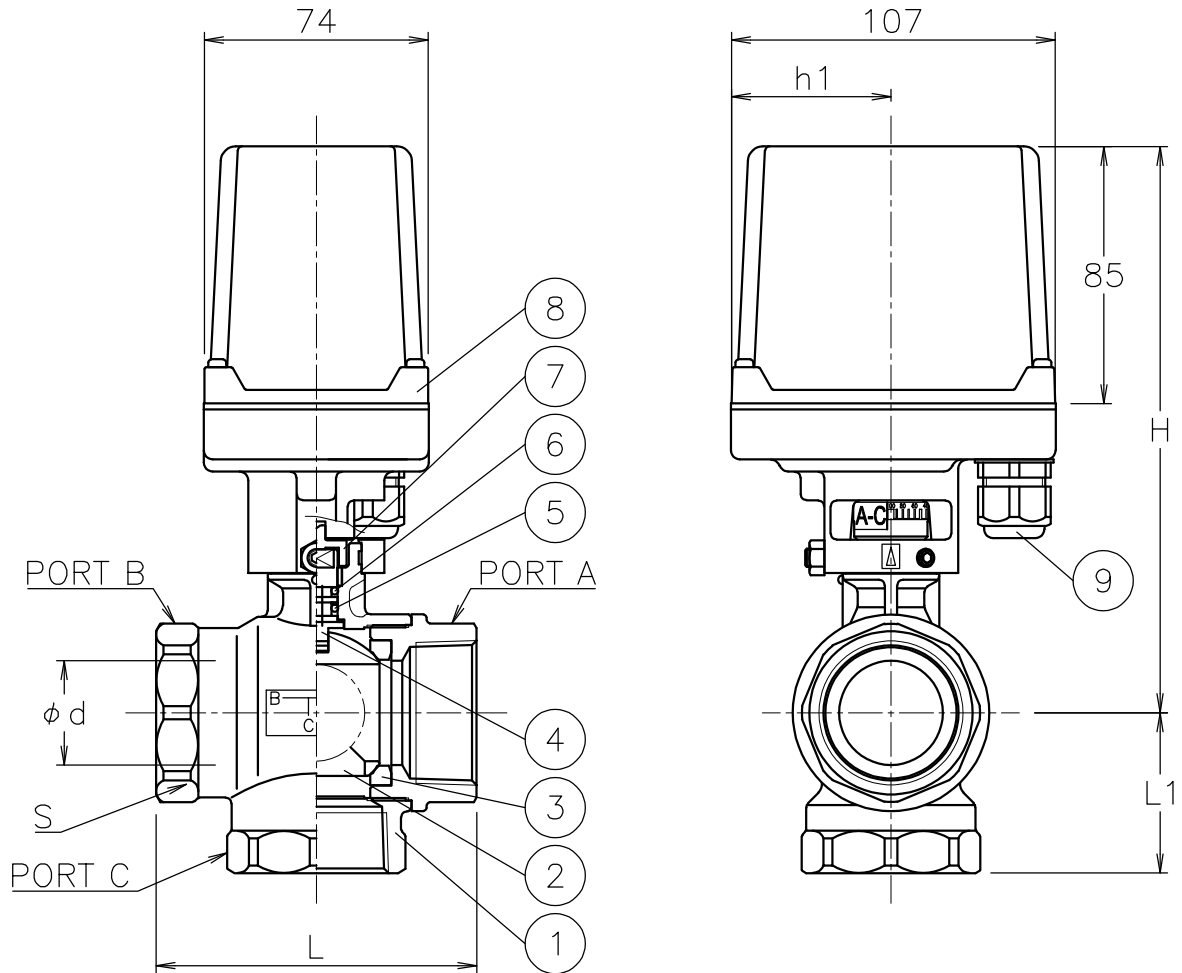


Size [mm]	S	d	L	L1	h1	H	Weight [kg]	Cv		Actuator	Sizing code
								P1/P2	Effective Cv value		
15	Rc 1/2	14	67	34	36	151	1.7	5	3	PAX-050	0
20	Rc 3/4	18	70	35	36	164	1.9	8	5	PAX-050	0
					53	178	2.1			PAX-120	2
25	Rc 1	20	81	41	36	165	2.1	13	9	PAX-050	0
					53	179	2.3			PAX-120	2
32	Rc1 1/4	25	93	46	53	181	2.5	22	15	PAX-120	0
40	Rc1 1/2	32	106	53	53	187	3	36	25	PAX-120	0



NOTE

(a) Cable acceptance 5φ to 10.5φ mm.

Flow paths

Position 1 (P1)

Position 2 (P2)



9	Cable gland	NYLON 6	1	G 3/8 (a)
8	Actuator	ADC12/PC Cover	1	
7	Joint	SUS304	1	
6	O-ring	NBR	1	
5	O-ring	FKM	1	
4	Stem	SUS304	1	Cr plated
3	Seat	R-PTFE	2	
2	Ball	SUS304/SCS13A	1	
1	Body	SCS13A	1	
No	DESCRIPTION	MATERIALS	REQ'D	REMARKS

			APPR'D	H.F	TITLE	Threaded End Rc TV type motorized 3 way control valve					
			CHK'D	K.Y							
			DESIGN		MODEL	PAXTV**5TTP					
			DRAWN	S.O							
MARK	DATE	BY	DATE	'21-04-02	SCALE	NON	DWG No.	TV-*5TTP-AX12-EN			
REVISIONS											
MV-2890											