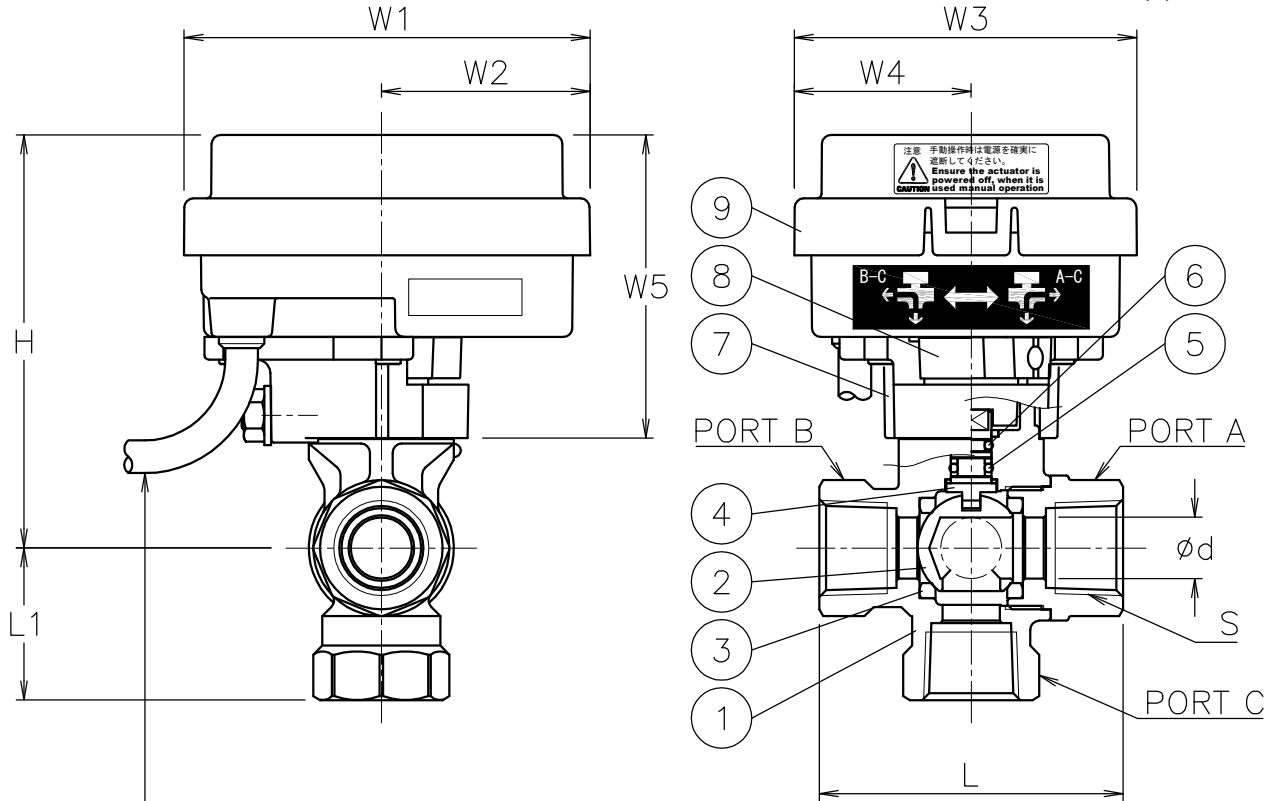


Size [mm]	S	d	L	L1	W1	W2	W3	W4	W5	H	Weight [kg]	Cv P1/P2	Actuator		Sizing code
15	Rc 1/2	14	67	34	90	46	76	39	44.5	91	0.8	5	CM*-030	CD2-030	0
20	Rc 3/4	18	70	35	90	46	76	39	44.5	104	1	8	CM*-030	CD2-030	1
					105	55	96	48	61(84)	125(148)	1.2		CM*-070	CD2-070	0
25	Rc 1	20	81	41	105	55	96	48	61(84)	126(149)	1.4	13	CM*-070	CD2-070	0

(): CD2-070

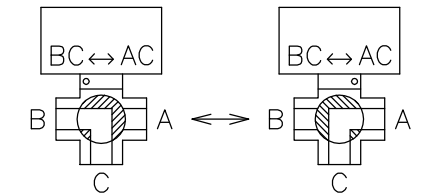


Flexible cable
5 leads 0.5mm² Length 500mm

Flow paths

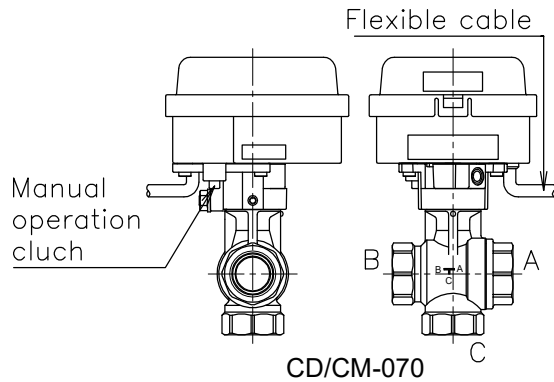
Position 1 (P1)

Position 2 (P2)



NOTE

- For manual operation on CD/CM-070, press the clutch button while operating it.



9	Actuator	PC Case	1	
8	Joint	PPS	1	
7	Bracket	PPS	1	
6	O-ring	NBR	1	
5	O-ring	FKM	1	
4	Stem	SUS304	1	Cr plated
3	Seat	R-PTFE	2	
2	Ball	SUS304	1	
1	Body	SCS13A	1	
No	DESCRIPTION	MATERIALS	REQ'D	REMARKS

			APPR'D	H.F	TITLE	Threaded End Rc TV type motorized 3 way ball valve					
			CHK'D	K.Y		MODEL	CD2TV**5TTP CM1TV**5TTP CM2TV**5TTP				
			DESIGN		SCALE		NON	DWG No.	TV-*5TTP-CD3-EN		
MARK	DATE	BY	DATE	'17-05-17							
REVISIONS											
MV-2620											