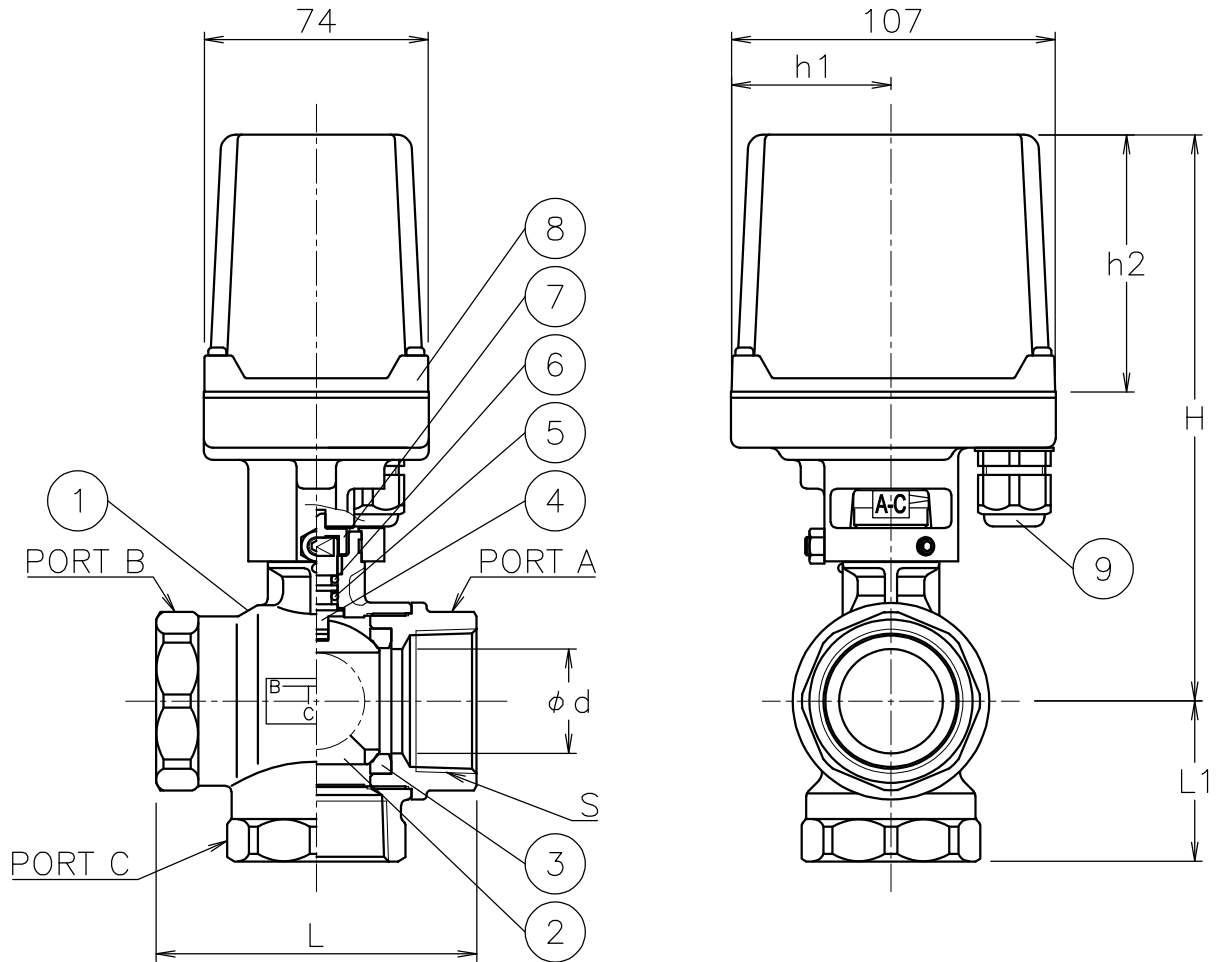


Size [mm]	S	d	L	L1	h1	h2	H	Weight [kg]	Cv (P1/P2)	Actuator		Sizing code
15	Rc 1/2	14	67	34	36	58	124	1.4	5	AM1-030	AM2-030	0
20	Rc 3/4	18	70	35	36	58	137	1.6	8	AM1-070	AM2-070	0
25	Rc 1	20	81	41	36	58	138	1.8	13	AM1-070	AM2-070	0
32	Rc1 1/4	25	93	46	53	85	181	2.5	22	AM1-180	AM2-180	0
40	Rc1 1/2	32	106	53	53	85	187	3	36	AM1-180	AM2-180	0



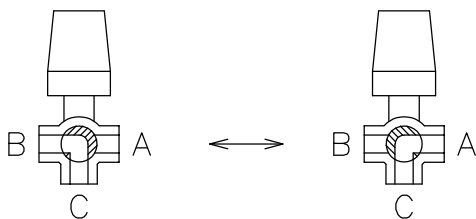
NOTE

(a) Cable acceptance 5φ to 10.5φ mm.

Flow paths

Position 1 (P1)

Position 2 (P2)



9	Cable gland	NYLON 6	1	G 3/8 (a)
8	Actuator	ADC12/PC Cover	1	
7	Joint	SUS304	1	
6	O-ring	NBR	1	
5	O-ring	FKM	1	
4	Stem	SUS304	1	Cr plated
3	Seat	R-PTFE	2	
2	Ball	SUS304/SCS13A	1	
1	Body	SCS13A	1	
No	DESCRIPTION	MATERIALS	REQ'D	REMARKS

			APPR'D	H.F	TITLE	Threaded End Rc					
			CHK'D	K.Y		TV type motorized 3 way ball valve					
			DESIGN		MODEL	AM1TV*05TTP					
			DRAWN	S.O		AM2TV*05TTP					
MARK	DATE	BY	DATE	'21-04-02	SCALE	NON	DWG No.	TV-05TTP-AM11-EN			
REVISIONS			NIPPON VALVE CONTROLS, INC.								
MV-2890											