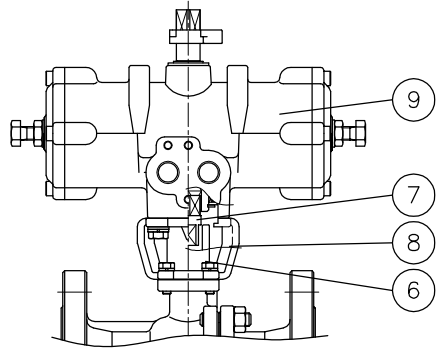


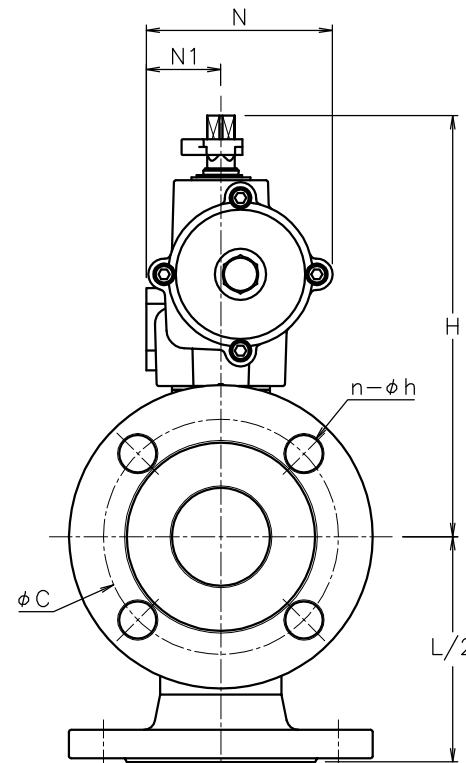
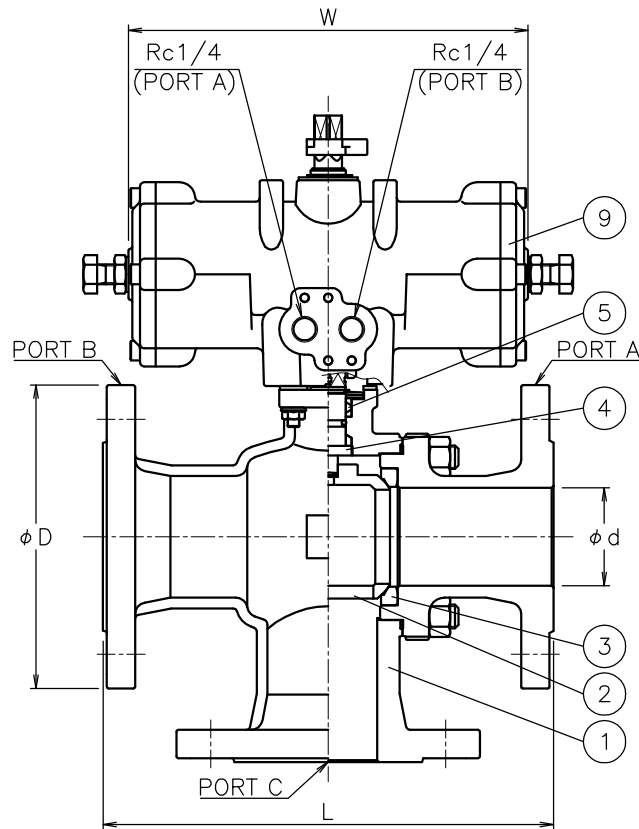
TADTR901TTP-020
TADTR9*1TTP-025
TADTR921TTP-040
TADTR921TTP-050



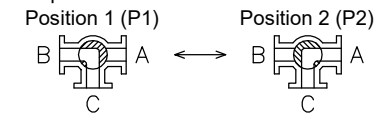
Size [mm]	d	L	D	C	n-h	W	N	N1	H	Weight [kg]	Cv P1/P2	Actuator	Sizing code
20	20	150	100	75	4-15	170	82	36	204	4.9	24	TAD-050	0
						170	82	36	211	6.9	40	TAD-050	0
25	25	170	125	90	4-19	204	95	38	226	7.7	40	TAD-063	2
						204	95	38	207	11	100	TAD-063	0
40	40	200	140	105	4-19	240	116	45	282	13	100	TAD-080	2
						204	95	38	215	13	170	TAD-063	0
50	50	230	155	120	4-19	240	116	45	290	15	170	TAD-080	2
						240	116	45	271	21	240	TAD-080	0
65	65	260	175	140	4-19	240	116	45	271	21	240	TAD-080	0
						240	116	45	283	24	380	TAD-080	0
80	80	280	185	150	8-19	294	143	57	314	26	380	TAD-100	2
						294	143	57	340	38	680	TAD-100	0
100	100	340	210	175	8-19	366	150	60	365	42	680	TAD-125	2

NOTE

- 1) Air supply: 0.4 to 0.5Mpa. Max 0.7Mpa.
- 2) Actuator operation
Air to port A : Position 1 (P1)
Air to port B : Position 2 (P2)



Flow paths



No	DESCRIPTION	MATERIALS	REQ'D	REMARKS
9	Actuator		1	TAD
8	Bracket	SCS13A	1	
7	Joint	SUS304	1	
6	Joint	SUS304	1	
5	Packing	R-PTFE	1set	
4	Stem	SUS304	1	
3	Seat	R-PTFE	2	
2	Ball	SUS304/SCS13A	1	
1	Body	SCS13A	1	

APPR'D	H.F	TITLE	J10K Flanged-end (double-acting type) TR type pneumatic actuated 3 way ball valve	
CHK'D	K.Y	MODEL	TADTR9*1TTP	
DESIGN		SCALE	NON	DWG No. TR-9*1TTP-TA9-EN
DRAWN	S.O			
MARK	DATE	BY	DATE	'17-06-13
REVISIONS				
MV-2622				