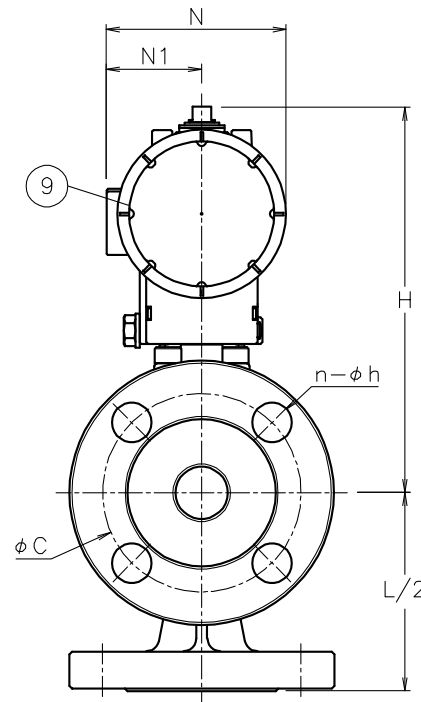
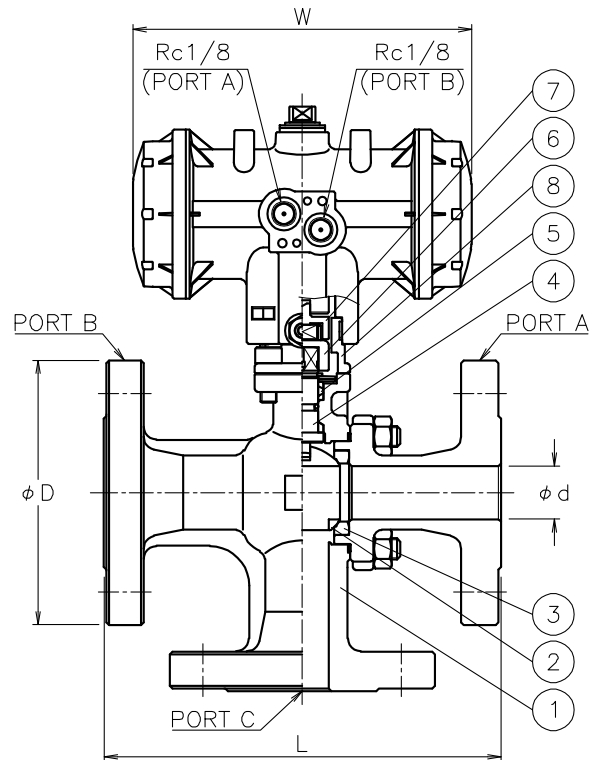
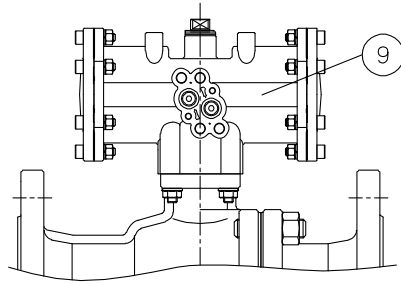


PNDTR901TTP-025
 PNDTR901TTP-040
 PNDTR901TTP-050

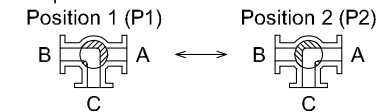


Size [mm]	d	L	D	C	n-h	W	N	N1	H	Weight [kg]	Cv P1/P2	Actuator	Sizing code
20	20	150	100	75	4-15	128	68	36	146	3.9	24	PND-04D	0
25	25	170	125	90	4-19	128	68	36	143	5.8	40	PND-04D	0
40	40	200	140	105	4-19	157	82	44	164	9	100	PND-05D	0
50	50	230	155	120	4-19	157	82	44	173	12	170	PND-05D	0

NOTE

- 1) Air supply: 0.4 to 0.5 Mpa. Max 0.7 Mpa.
- 2) Actuator operation
 Air to port A : Position 1 (P1).
 Air to port B : Position 2 (P2).
- 3) Coupling OD must be less than 14.5φ.

Flow paths



No	DESCRIPTION	MATERIALS	REQ'D	REMARKS
9	Actuator	PPS body	1	PND
8	Bracket	SCS13A	1	
7	Joint	SUS304	1	
6	Joint	SCS13A	1	
5	Packing	R-PTFE	1set	
4	Stem	SUS304	1	
3	Seat	R-PTFE	2	
2	Ball	SUS304/SCS13A	1	
1	Body	SCS13A	1	

			APPR'D	K.Y	TITLE	J10K Flanged-end (double-acting type) TR type pneumatic actuated 3 way ball valve				
			CHK'D	K.Y						
			DESIGN							
			DRAWN	T.A						MODEL
MARK	DATE	BY	DATE	'22-12-09	SCALE	NON	DWG No.	TR-901TTP-NA1-EN		
REVISIONS					NIPPON VALVE CONTROLS, INC.					
MV-2987										