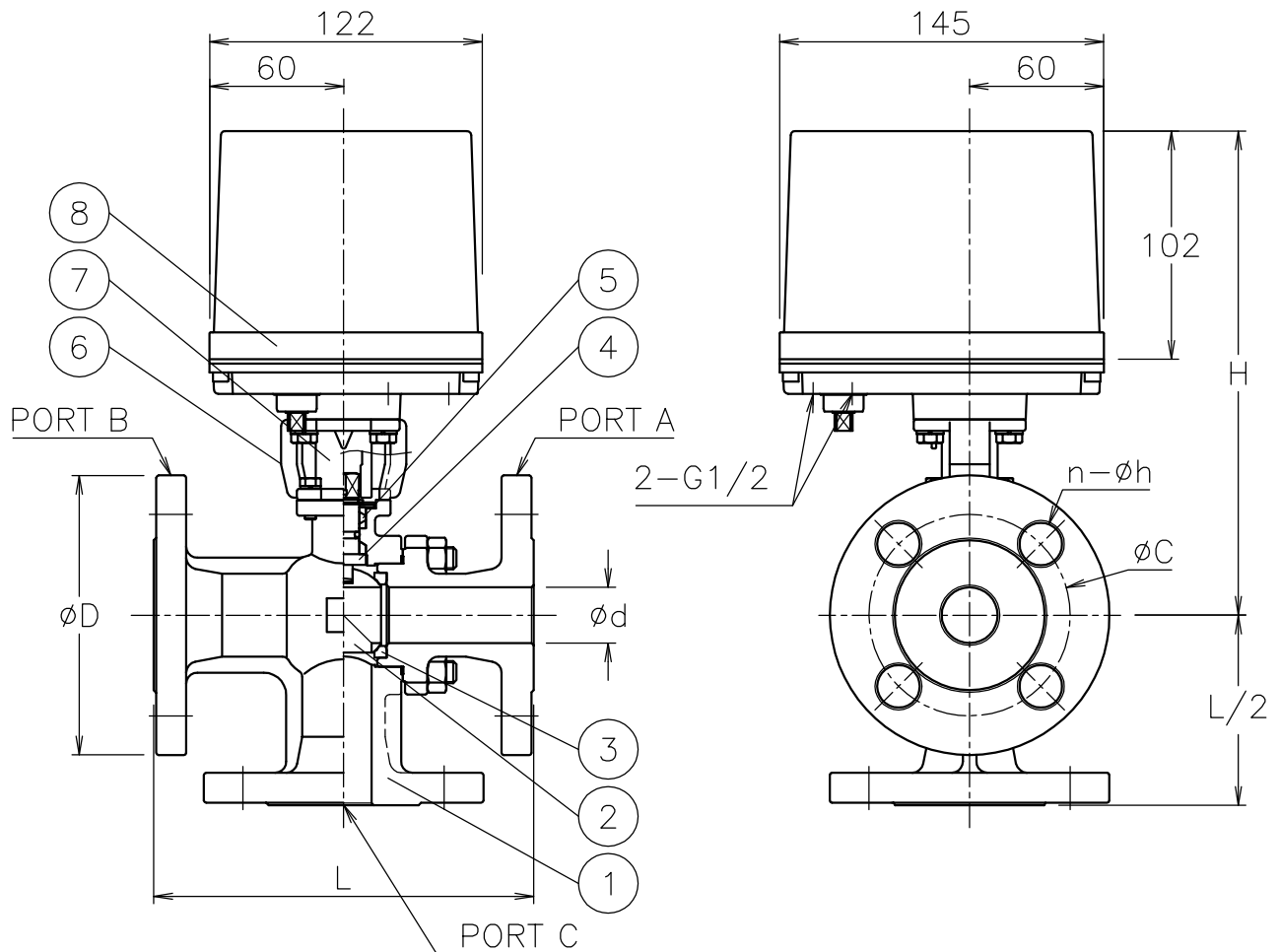


Size [mm]	d	L	D	C	n-h	H	Weight [kg]	Cv		Actuator	Sizing code
								Effective Cv value	P1/P2		
20	20	150	100	75	4-15	210	5.7	10	24	PEX-120	0
25	25	170	125	90	4-19	217	7.7	20	40	PEX-120	1
						217	7.7			PEX-300	0
40	40	200	140	105	4-19	232	11	60	100	PEX-300	0
50	50	230	155	120	4-19	256	14	110	170	PEX-700	0
65	65	260	175	140	4-19	287	20	150	240	PEX-700	0



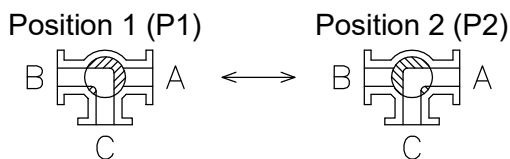
NOTE

Actuator material: Aluminum alloy diecast cover.

ATTACHMENT

Cable gland (nylon), G 1/2, for 6 ϕ to 12 ϕ cable. Plug.

Flow paths



8	Actuator		1	
7	Joint	SUS304	1	
6	Bracket	SCS13A	1	
5	Packing	R-PTFE	1set	
4	Stem	SUS304	1	
3	Seat	R-PTFE	2	
2	Ball	SUS304/SCS13A	1	
1	Body	SCS13A	1	
No	DESCRIPTION	MATERIALS	REQ'D	REMARKS

			APPR'D	H.F	TITLE	J10K Flanged-end TR type electric actuated 3 way control valve					
			CHK'D	K.Y							
			DESIGN		MODEL	PEXTR**1TTP					
			DRAWN	S.O							
MARK	DATE	BY	DATE	'18-08-29	SCALE	NON	DWG No.	TR-*1TTP-PE2-EN			
REVISIONS											
MV-2724											