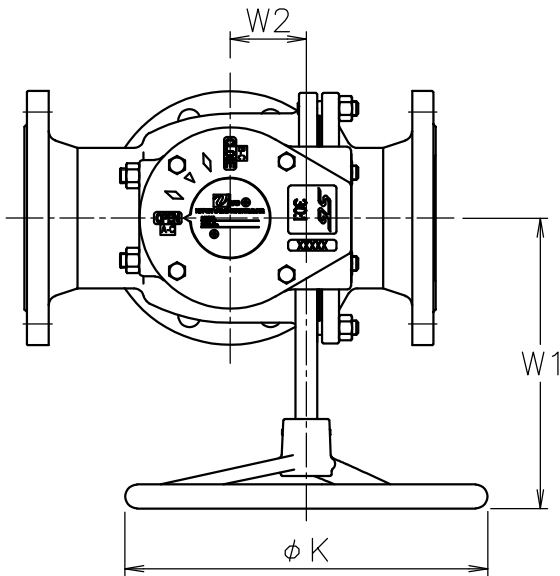
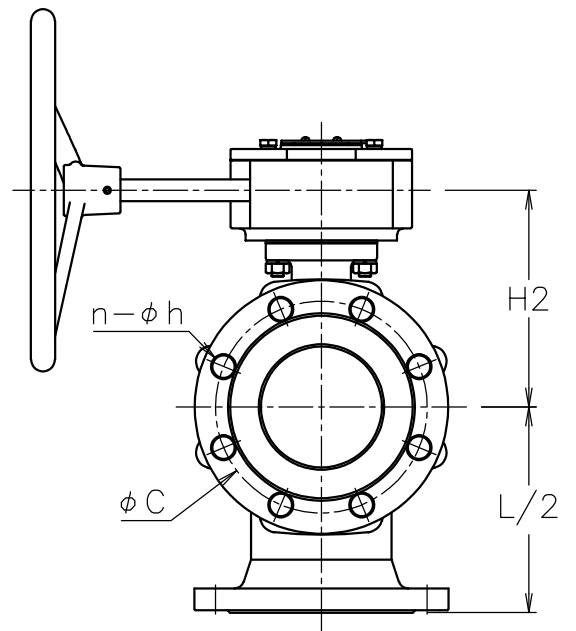
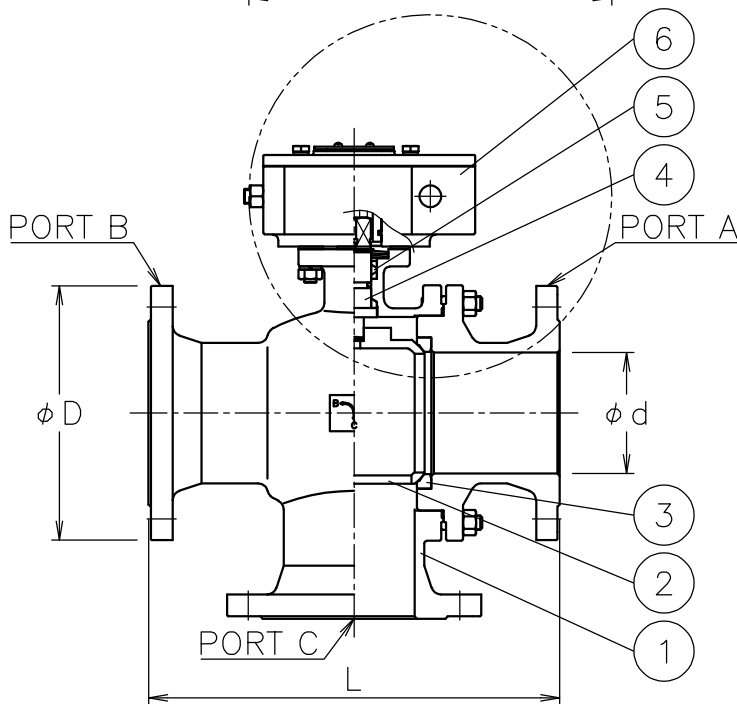
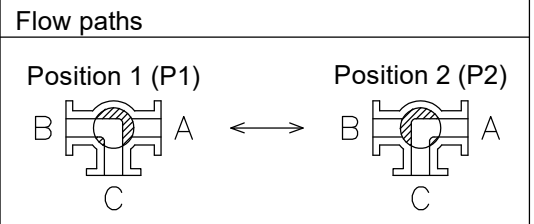


Size [mm]	d	L	D	C	n-h	W1	W2	K	H2	Weight [kg]	Cv P1/P2	Actuator
65	65	260	175	140	4-19	157	45	150	140	22	240	MAG-F07
80	80	280	185	150	8-19	157	45	150	152	25	380	MAG-F07
100	100	340	210	175	8-19	240	63	300	180	42	680	MAG-F10



Actuator	Reduction ratio
MAG-F07	24:1
MAG-F10	30:1



NOTE
(a) Handle is removed and shipped.

6	Worm gear	FC250(CASE)	1	(a)
5	Packing	R-PTFE	1set	
4	Stem	SUS304	1	
3	Seat	R-PTFE	2	
2	Ball	SCS13A	1	
1	Body	SCS13A	1	
No	DESCRIPTION	MATERIALS	REQ'D	REMARKS

			APPR'D	H.F	TITLE	J10K Flanged-end TR type 3 way ball valve					
			CHK'D	K.Y							
			DESIGN		MODEL	MAXTRG-1TTP					
			DRAWN	P.O							
MARK	DATE	BY	DATE	'20-12-25	SCALE	NON	DWG No.	TR-1TTP-G-MA8-EN			
REVISIONS											
MV-2876											