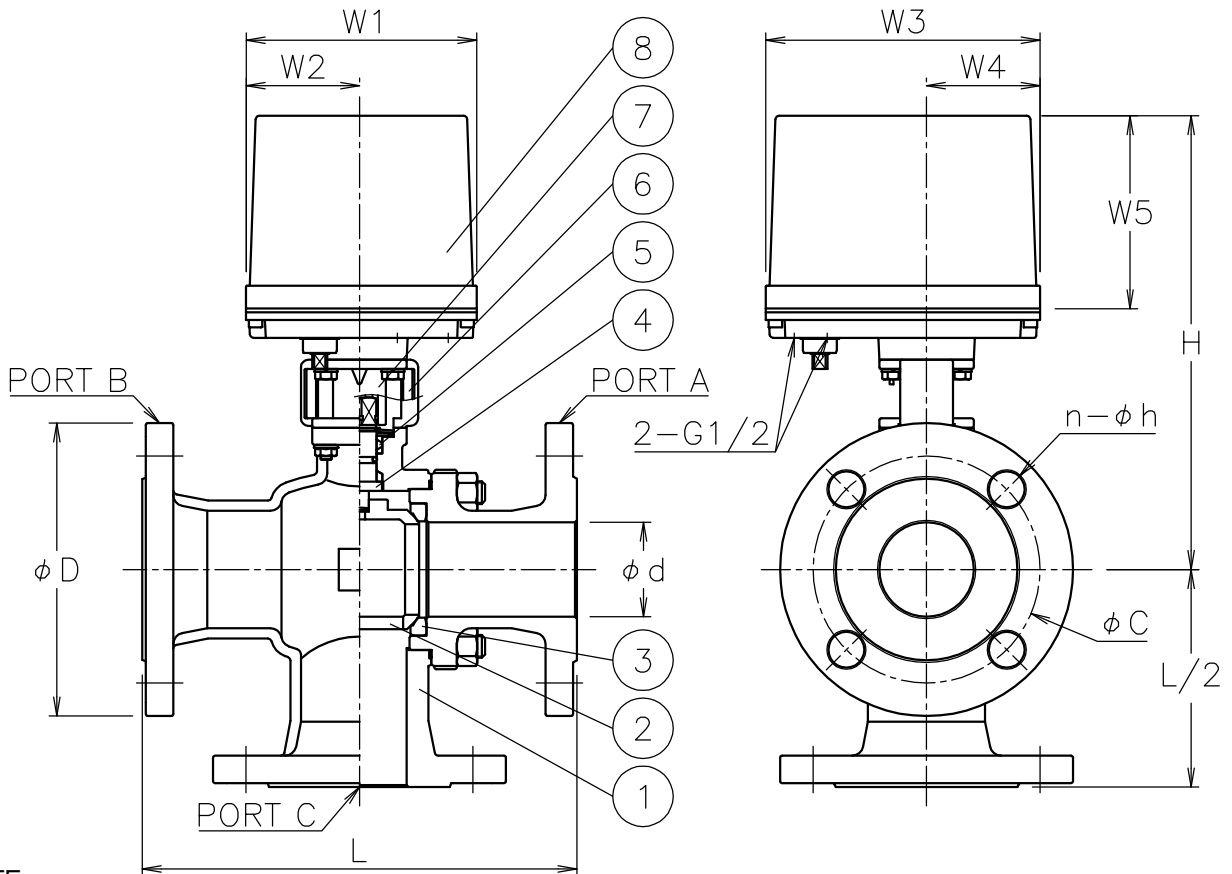


Size [mm]	d	L	D	C	n-h	W1	W2	W3	W4	W5	H	Weight [kg]	Cv P1/P2	Actuator		Sizing code
20	20	150	100	75	4-15	122	60	145	60	102	210	5.7	24	AE1-120	AE2-120	0
25	25	170	125	90	4-19	122	60	145	60	102	217	7.7	40	AE1-120	AE2-120	0
						122	60	145	60	102	217	8.3		AE1-360	AE2-360	2
40	40	200	140	105	4-19	122	60	145	60	102	232	12	100	AE1-360	AE2-360	0
50	50	230	155	120	4-19	122	60	145	60	102	240	14	170	AE1-360	AE2-360	0
						122	60	145	60	102	256	14		AE1-700	AE2-700	2
65	65	260	175	140	4-19	122	60	145	60	102	287	21	240	AE1-700	AE2-700	0
80	80	280	185	150	8-19	122	60	145	60	102	299	23	380	AE1-700	AE2-700	0
						160	97	175	63	115	357	29		AE1-02K	AE2-02K	2
100	100	340	210	175	8-19	160	97	175	63	115	383	42	680	AE1-02K	AE2-02K	0



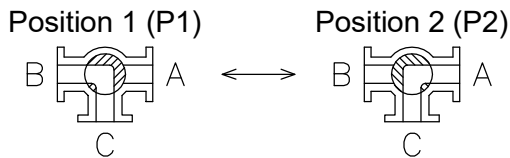
NOTE

Actuator material: Aluminum alloy diecast cover.

ATTACHMENT

Cable gland (nylon), G 1/2, for 6φ to 12φ cable.
Plug.

Flow paths



8	Actuator	Aluminum alloy die-cast cover	1	
7	Joint	SUS304/SCS13A	1	
6	Bracket	SCS13A	1	
5	Packing	R-PTFE	1set	
4	Stem	SUS304	1	
3	Seat	R-PTFE	2	
2	Ball	SUS304/SCS13A	1	
1	Body	SCS13A	1	
No	DESCRIPTION	MATERIALS	REQ'D	REMARKS

			APPR'D	H.F	TITLE	J10K Flanged-end TR type electric actuated 3 way ball valve				
			CHK'D	K.Y						
			DESIGN		MODEL	AE1TR**1TTP AE2TR**1TTP				
			DRAWN	S.O						
MARK	DATE	BY	DATE	'17-07-20	SCALE	NON	DWG No.	TR-*1TTP-AE8-EN		
REVISIONS			 NIPPON VALVE CONTROLS, INC.							
MV-2622										