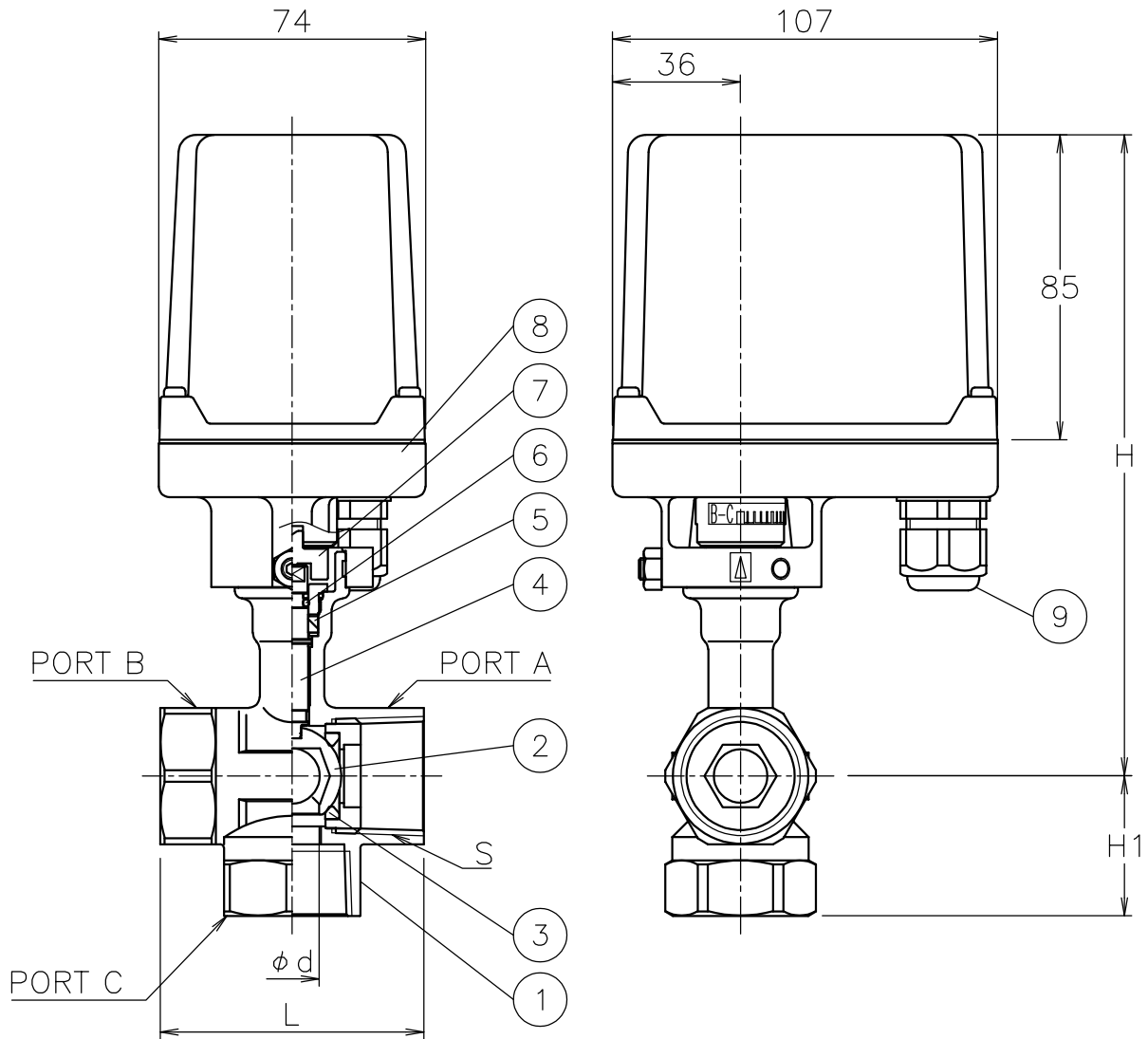


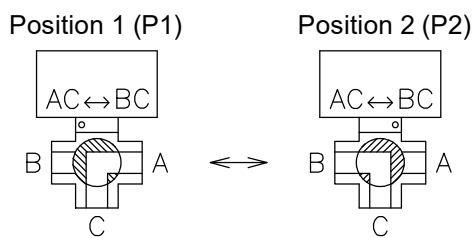
Size [mm]	S	d	L	H1	H	Weight [kg]	Cv		Actuator	Sizing code
							Effective Cv value	P1/P2		
15	Rc 1/2	8.5	58.2	29	174	1.6	1.8	3	PAX-050	0
20	Rc 3/4	11.5	60	32	176	1.7	3.6	6	PAX-050	0
25	Rc 1	15	73.5	39	179	1.9	5.4	9	PAX-050	0



NOTE

(a) Cable acceptance 5φ to 10.5φ mm.

Flow paths



9	Cable gland	NYLON 6	1	G 3/8 (a)
8	Actuator	ADC12/PC Cover	1	
7	Joint	SUS304	1	
6	O-ring	FKM	1	
5	Packing	PTFE	1	
4	Stem	SUS304	1	
3	Seat	R-PTFE	2	
2	Ball	SUS304	1	
1	Body	SCS13A	1	
No	DESCRIPTION	MATERIALS	REQ'D	REMARKS

			APPR'D	H.F	TITLE	Threaded End Rc			
			CHK'D	K.Y		TE type motorized 3 way control valve			
			DESIGN		MODEL	PAXTE*05TTP			
			DRAWN	S.O					
MARK	DATE	BY	DATE	'22-12-01	SCALE	NON	DWG No.	TE-05TTP-AX3-EN	
REVISIONS									
MV-2986									