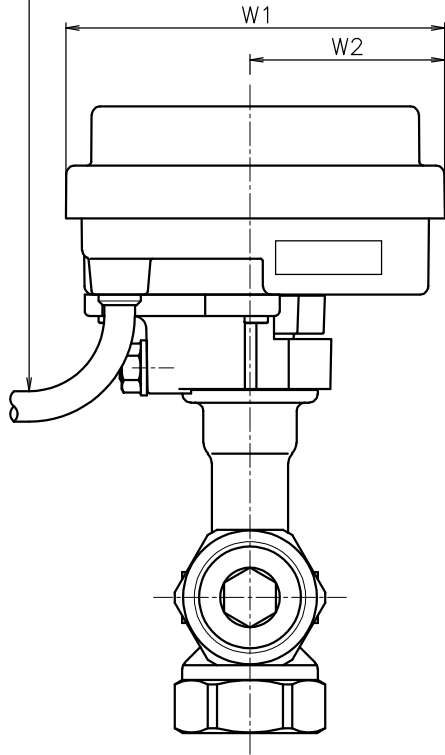
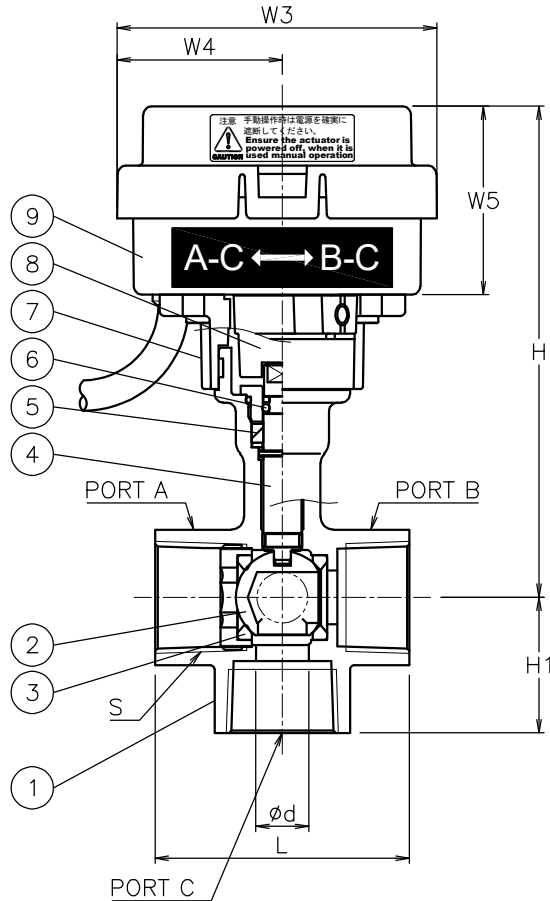


Flexible cable
4 leads 0.5mm² Length 500mm

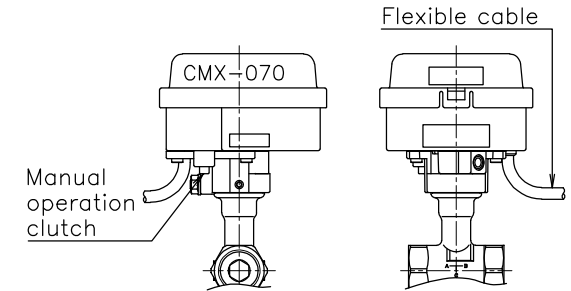


Size [mm]	S	d	L	H1	W1	W2	W3	W4	W5	H	Weight [kg]	Cv		Actuator			Sizing code
												Effective Cv value	P1/P2	AC power		DC power	
15	Rc 1/2	8.5	58.2	29	90	46	76	39	44.5	114	0.8	1.8	3	CMX-030-1	CMX-030-2	CMX-030-0	0
					105	55	96	48	61	135	1.1			-	-	CMX-070-0	2
20	Rc 3/4	11.5	60	32	90	46	76	39	44.5	116	0.9	3.6	6	CMX-030-1	CMX-030-2	CMX-030-0	0
					105	55	96	48	61	137	1.2			-	-	CMX-070-0	2
25	Rc 1	15	73.5	39	90	46	76	39	44.5	120	1	5.4	9	CMX-030-1	CMX-030-2	CMX-030-0	0
					105	55	96	48	61	140	1.3			CMX-070-1	CMX-070-2	CMX-070-0	2

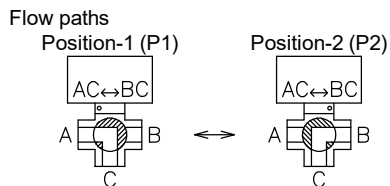


NOTE

Press the actuator clutch and move the joint to manually operate the CMX-070.



CMXTE025TTP-015
CMXTE025TTP-020
CMXTE*25TTP-025



No	DESCRIPTION	MATERIALS	REQ'D	REMARKS
9	Actuator	PC Case	1	
8	Joint	PPS	1	
7	Bracket	PPS	1	
6	O-ring	FKM	1	
5	Packing	PTFE	1	
4	Stem	SUS304	1	
3	Seat	R-PTFE	2	
2	Ball	SUS304	1	
1	Body	SCS13A	1	

APPR'D	K.Y.	TITLE	Threaded End Rc		
CHK'D	K.Y.	TE type motorized 3 way control valve			
DESIGN		MODEL	CMXTE**5TTP		
DRAWN	P.O.	SCALE	NON	DWG No.	TE-*5TTP-MX8-EN
MARK	DATE	BY	DATE	'24-09-18	
REVISIONS					
MV-3081					