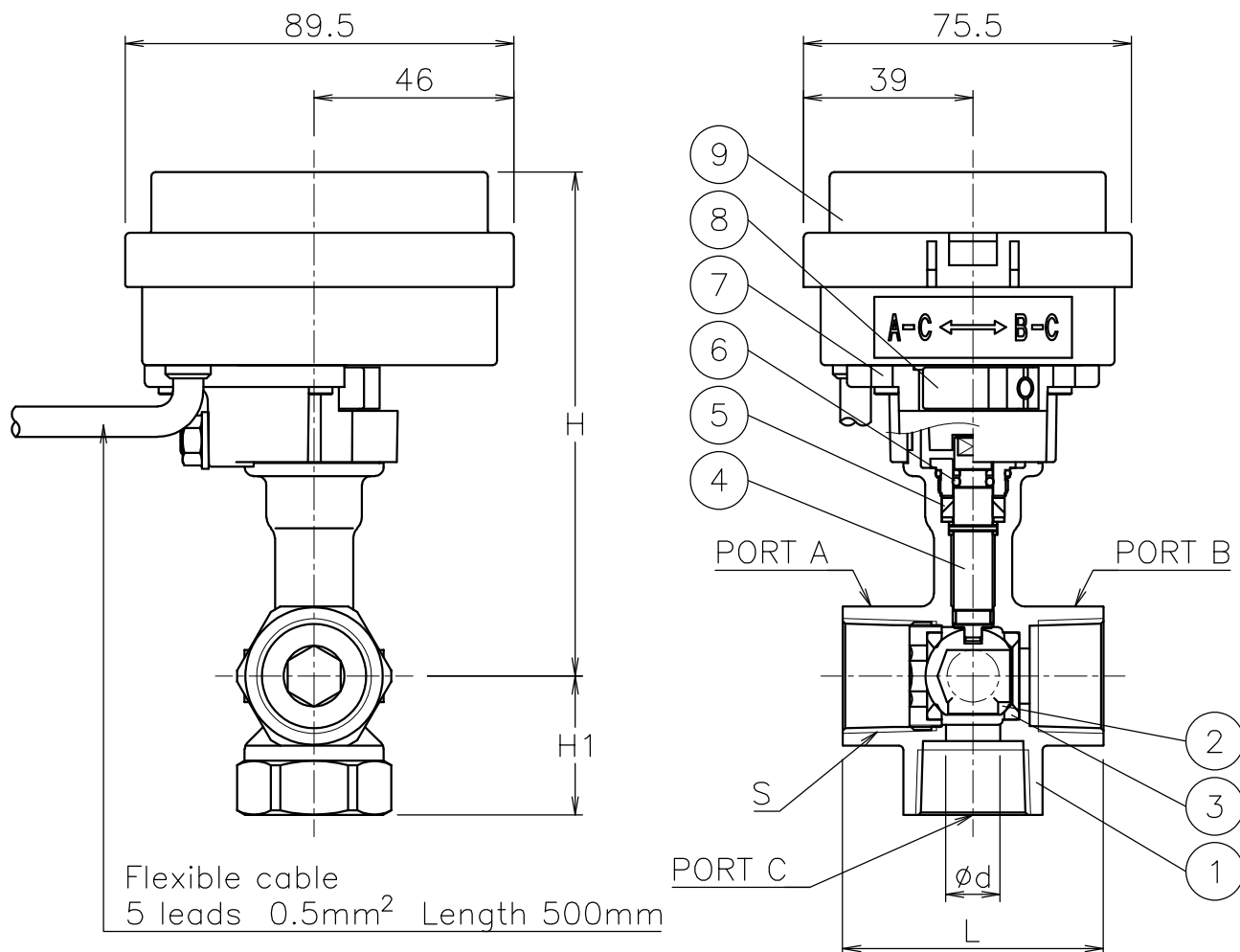
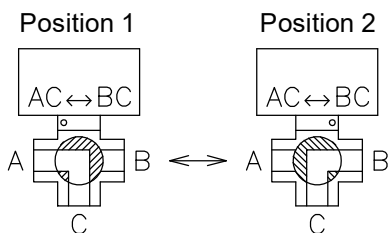


Valve DN	S	d	L	H1	H	Weight (kg)	Cv ON/OFF	Actuator		Sizing code
15 A	Rc 1/2	8.5	58.2	29	114	0.8	3	CD2-030	CM*-030	0
20 A	Rc 3/4	11.5	60	32	116	0.9	6	CD2-030	CM*-030	0
25 A	Rc 1	15	73.5	39	120	1	9	CD2-030	CM*-030	0



NOTE

Flow paths



9	Actuator	PC Case	1	
8	Joint	PPS	1	
7	Bracket	PPS	1	
6	O-ring	FKM	1	
5	Packing	PTFE	1	
4	Stem	SUS304	1	
3	Seat	R-PTFE	2	
2	Ball	SUS304	1	
1	Body	SCS13A	1	

No	DESCRIPTION	MATERIALS	REQ'D	REMARKS
	TITLE	Threaded End Rc Valve DN: 15~25 A TE type motorized 3 way ball valve		
	MODEL	CD2TE005TTP	CM1TE*05TTP CM2TE*05TTP	
MARK	DATE	BY	DATE	'15-11-10
SCALE	NON	DWG No.	TE-05TTP-CD5-EN	

REVISIONS

MV-2479



NIPPON VALVE CONTROLS, INC.