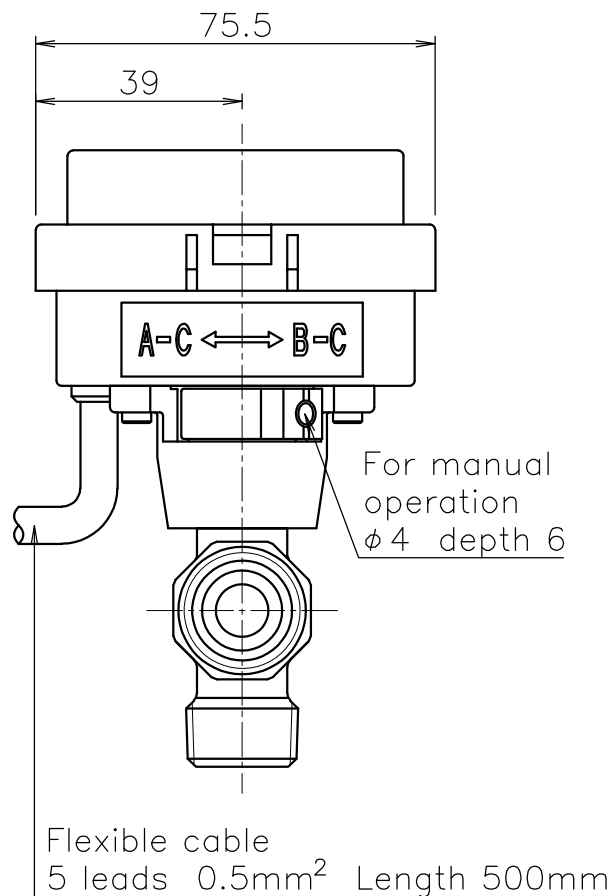
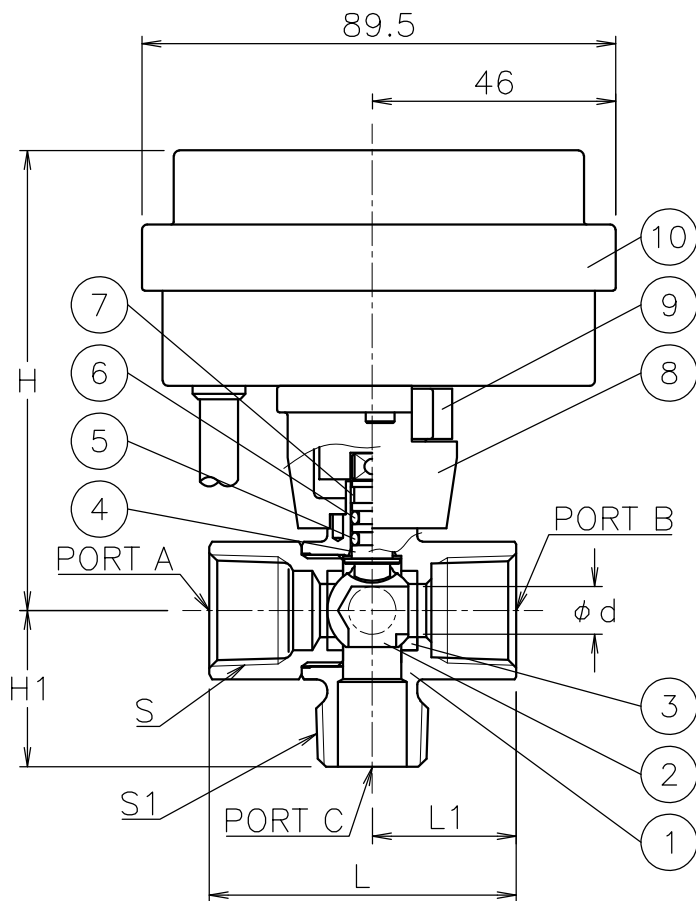
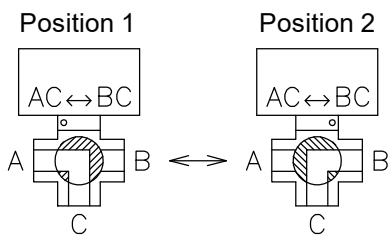


Valve DN	S	S1	d	L	L1	H1	H	Weight (kg)	Cv	Actuator		Sizing code
15 A	Rc 1/2	R 1/2	9	58	27.2	29.5	87	0.7	3	CD2-030	CM*-030	0
20 A	Rc 3/4	R 3/4	12	63	29.7	32	89	0.8	6	CD2-030	CM*-030	0
25 A	Rc 1	R 1	15	71	33.8	38	93	1.0	8	CD2-030	CM*-030	0




**NOTE**

**Flow paths**



10	Actuator	PC Case	1	
9	Joint	PPS	1	
8	Bracket	PPS	1	
7	Guide ring	PTFE	1	
6	O-ring	NBR	1	
5	O-ring	FKM	1	
4	Stem	Dezincification resistant brass	1	
3	Seat	F-PTFE	2	
2	Ball	C3604BD	1	PLTD
1	Body	C3771BE	1	PLTD
No	DESCRIPTION	MATERIALS	REQ'D	REMARKS

			APPR'D	H.F	TITLE	Threaded End Rc Valve DN: 15~25 A T type motorized 3 way ball valve					
			CHK'D	K.Y		MODEL	CD2T-*05YYF CM1T-*05YYF CM2T-*05YYF				
			DESIGN		SCALE		NON	DWG No.	T-05YYF-CD2-EN		
MARK	DATE	BY	DATE	'16-04-11							
REVISIONS					 <b>NIPPON VALVE CONTROLS, INC.</b>						
MV-2492											