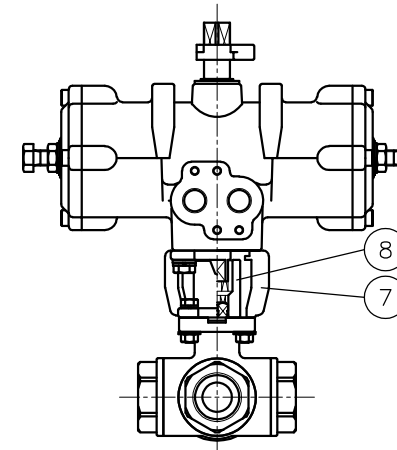
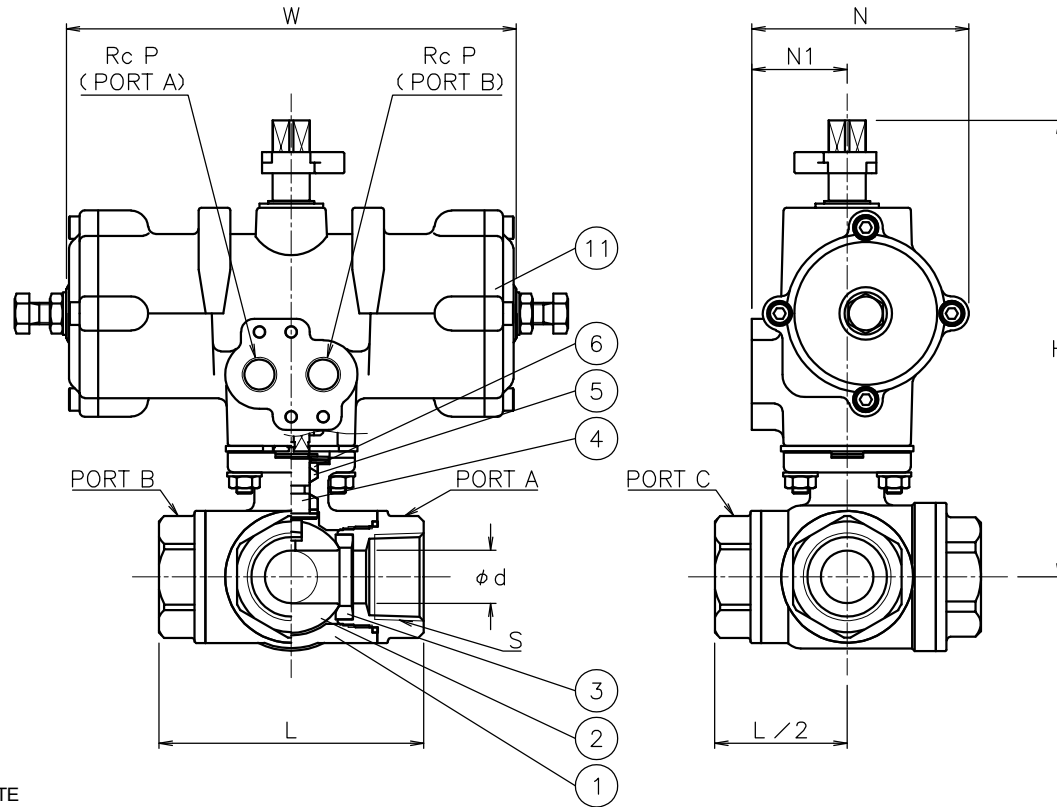
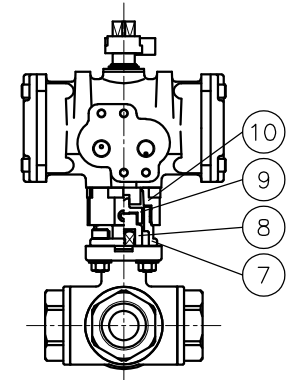


Valve DN	S	d	L	P	W	N	N1	H	Weight (kg)	Cv () : straight port	Actuator	Sizing code
15 A	Rc 1/2	13	75	1/8	110	57	32	161	1.7	4 (7)	TAD-040	0
20 A	Rc 3/4	16	85	1/8	110	57	32	164	2.1	8 (13)	TAD-040	0
				1/4	170	82	36	202	2.6		TAD-050	2
25 A	Rc 1	20	100	1/4	170	82	36	173	3	14 (22)	TAD-050	0
32 A	Rc1 1/4	25	115	1/4	170	82	36	178	3.8	22 (33)	TAD-050	0
					204	95	38	227	4.8		TAD-063	2



TADST925UUUF-020
TADST925UUUF-032

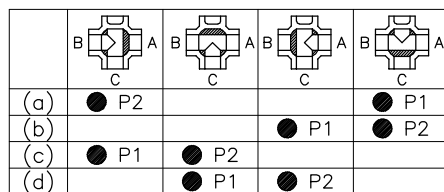


TADST905UUUF-015
TADST905UUUF-020

NOTE

1. Air supply: 0.4~0.5 Mpa max 0.7 Mpa
2. Actuator operation
 - Air to port A: Position 1
 - Air to port B: Position 2

Flow paths (Top view of valve)



4 type : (a) ~ (d)

No	DESCRIPTION	MATERIALS	REQ'D	REMARKS
11	Actuator		1	TAD
10	Bracket	ZDC2	1	
9	Joint	SUS304	1	
8	Joint	SCS13A	1	
7	Bracket	SCS13A	1	
6	Packing	R-PTFE	1	
5	Packing	F-PTFE	1	
4	Stem	SUS316	1	
3	Seat	F-PTFE	4	
2	Ball	SCS14A	1	
1	Body	SCS14A	1	

MARK	DATE	BY	APPR'D	H.F	TITLE	MODEL	SCALE	NON	DWG No.	REMARKS
					Threaded End Rc (double-acting type) ST type pneumatic actuated 3 way ball valve	TADST9*5UUUF				Valve DN: 15~32 A
			CHK'D	K.Y						
			DESIGN							
			DRAWN	P.O						
			DATE	'16-05-17						
REVISIONS										
MV-2465										