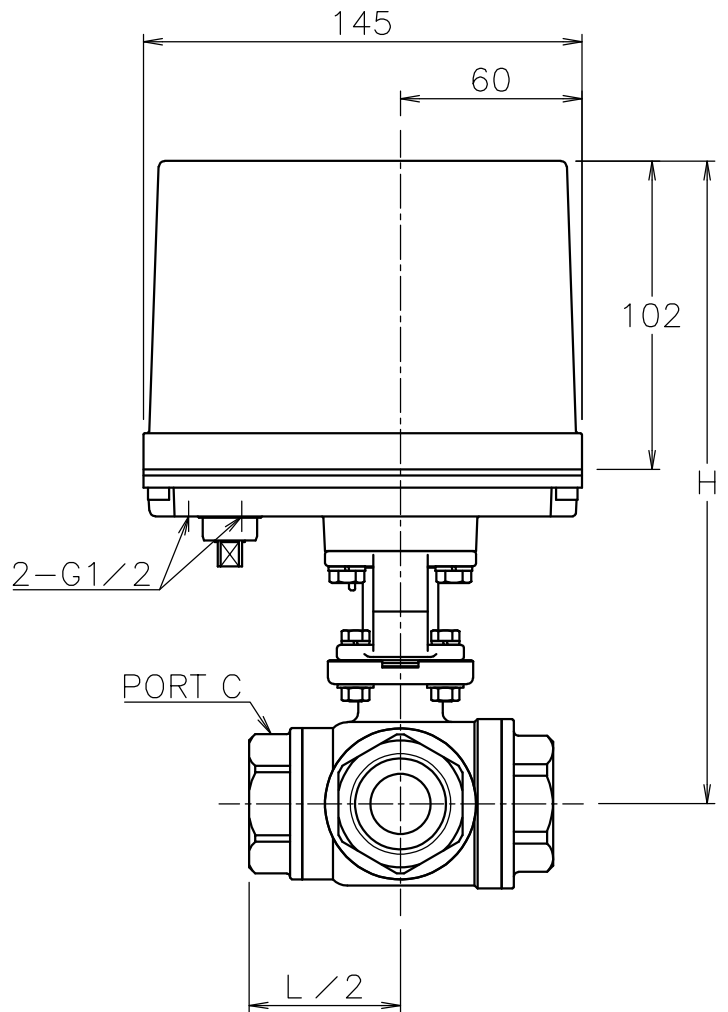
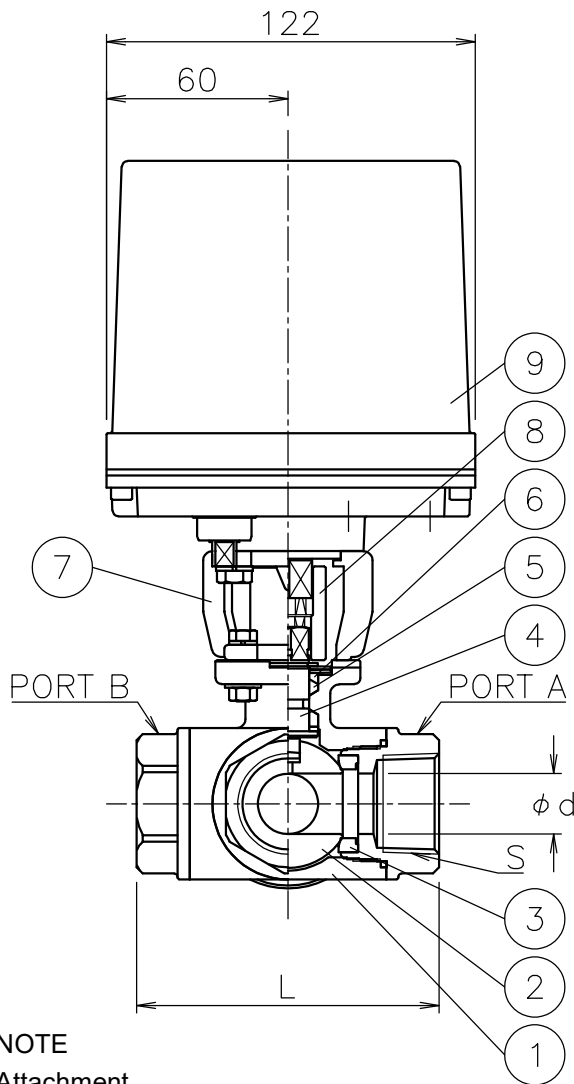


Valve DN	S	d	L	H	Weight (kg)	Cv ( ) : straight port	Actuator		Sizing code
15 A	Rc 1/2	13	75	205	3.1	4 (7)	AE1-120	AE2-120	0
20 A	Rc 3/4	16	85	208	3.5	8 (13)	AE1-120	AE2-120	0
25 A	Rc 1	20	100	213	4.1	14 (22)	AE1-120	AE2-120	0
32 A	Rc1 1/4	25	115	218	5.5	22 (33)	AE1-360	AE2-360	0

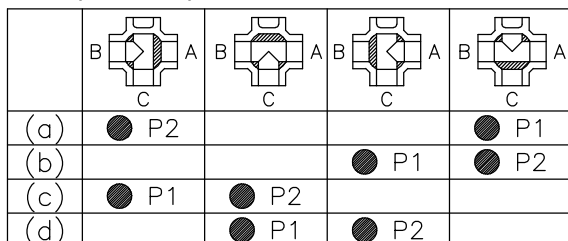


**NOTE**

**Attachment**

- Cable gland (nylon), G1/2, for φ6~12 cable
- Plug

**Flow paths (Top view of valve)**



4 TYPE : (a) ~ (d)

9	Actuator	Aluminum alloy die-cast cover	1	
8	Joint	SUS304	1	
7	Bracket	SCS13A	1	
6	Packing	R-PTFE	1	
5	Packing	F-PTFE	1	
4	Stem	SUS316	1	
3	Seat	F-PTFE	4	
2	Ball	SCS14A	1	
1	Body	SCS14A	1	

No	DESCRIPTION	MATERIALS	REQ'D	REMARKS
TITLE	Threaded End Rc Valve DN: 15~32 A ST type electric actuated 3 way ball valve			
MODEL	AE1ST*05UUF AE2ST*05UUF			
SCALE	NON	DWG No.	ST-05UUF-AE1a-EN	

APPR'D	H.F			
CHK'D	K.Y			
DESIGN				
DRAWN	P.O			
MARK	DATE	BY	DATE	'16-05-16

REVISIONS
MV-



**NIPPON VALVE CONTROLS, INC.**