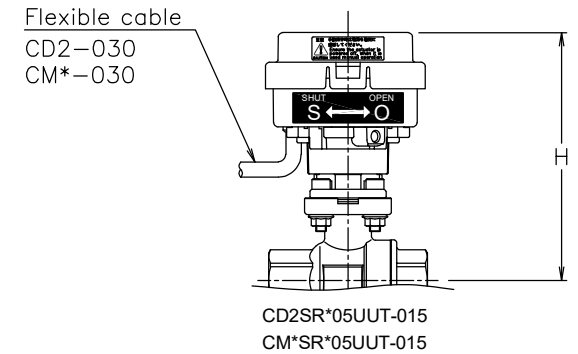
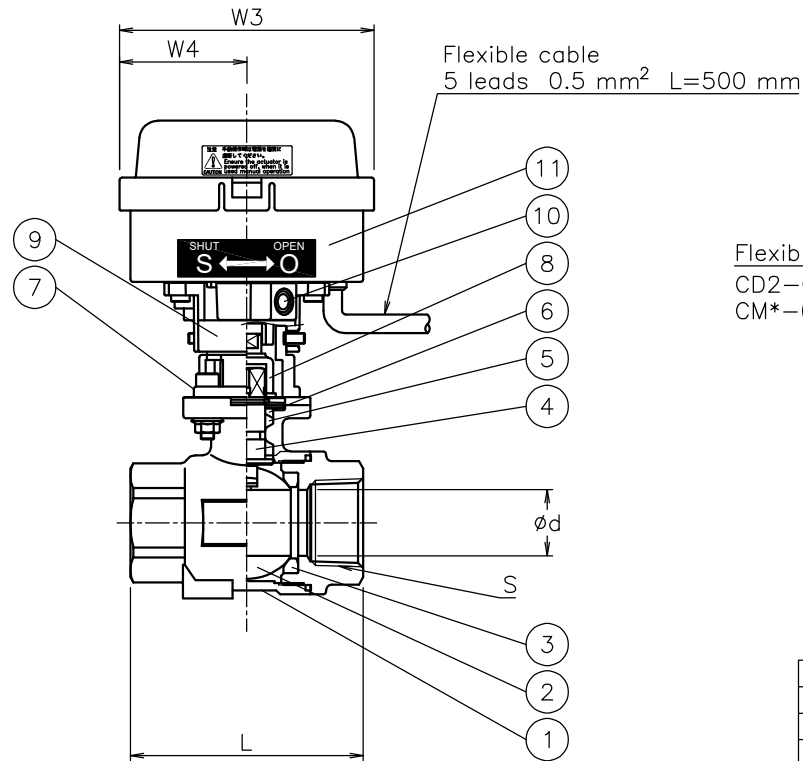
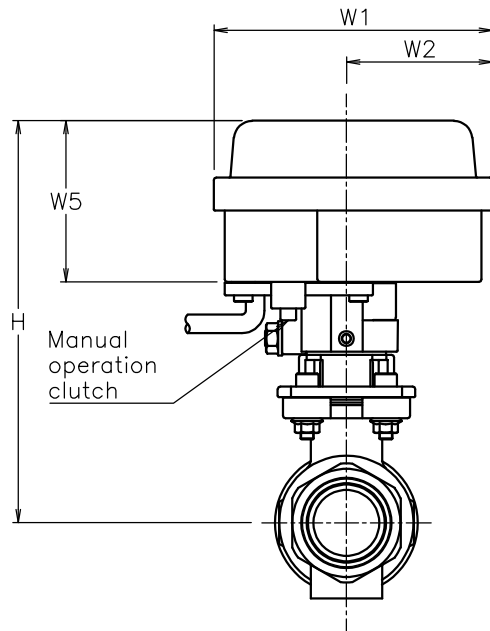



Size [mm]	S	d	L	W1	W2	W3	W4	CD2			CM1, CM2			Actuator			Sizing code
								W5	H	kg	W5	H	kg	CD2-030	CM1-030	CM2-030	
15	Rc 1/2	16	75	90	46	76	39	44.5	117	1.1	44.5	117	1	CD2-030	CM1-030	CM2-030	0
				105	55	96	48	84	161	1.2	61	138	1.3	CD2-070	CM1-070	CM2-070	2
20	Rc 3/4	20	80	105	55	96	48	84	164	1.4	61	141	1.5	CD2-070	CM1-070	CM2-070	0
25	Rc 1	25	88	105	55	96	48	84	175	1.8	61	152	1.8	CD2-070	CM1-070	CM2-070	0



No	DESCRIPTION	MATERIALS	REQ'D	REMARKS
11	Actuator	PC Case	1	
10	Joint	PPS	1	
9	Bracket	PPS	1	
8	Joint	SCS13A	1	
7	Bracket	SCS13A	1	
6	Packing	R-PTFE	1	
5	Packing	F-PTFE	1	
4	Stem	SUS316	1	
3	Seat	PTFE	2	
2	Ball	SCS14A	1	
1	Body	SCS14A	1	

NOTE

For manual operation on CD/CM-070, press the clutch button while operating it.

MARK	DATE	BY	DATE	'22-06-15	SCALE	NON	DWG No.	SR-*5UUT-CD4-EN
REVISIONS								
MV-2969								
				APPR'D	H.F	TITLE		Threaded End Rc SR type motorized ball valve
				CHK'D	K.Y	MODEL		CD2SR**5UUT CM1SR**5UUT CM2SR**5UUT
				DESIGN	S.O			
				DRAWN				
				 NIPPON VALVE CONTROLS, INC.				