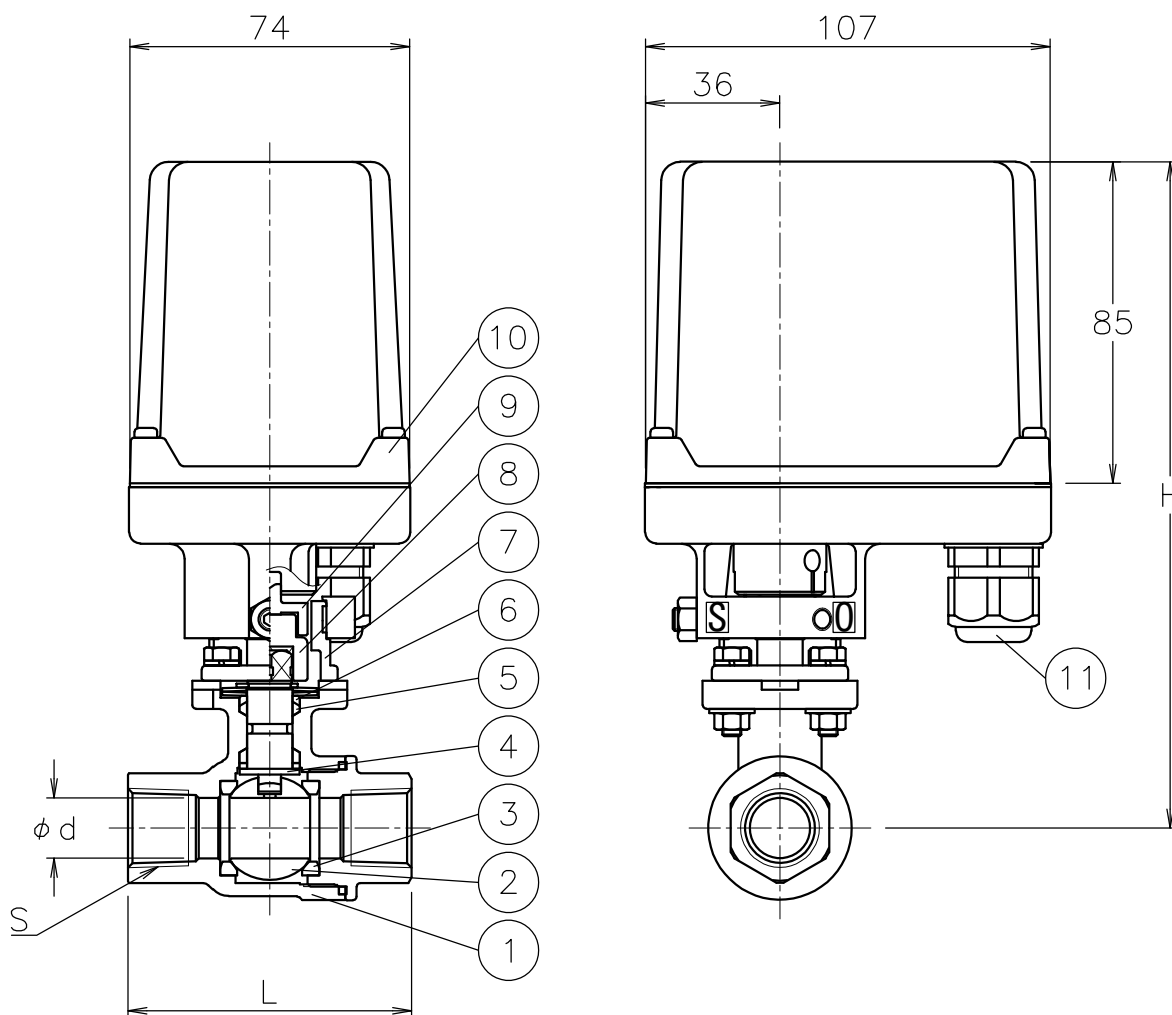


Valve DN	S	d	L	H	Weight (kg)	Actuator	Sizing code
15 A	Rc 1/2	16	75	177	1.5	ACR-030	0



**NOTE**

(a) Cable acceptance  $\phi 5 \sim 10.5\text{mm}$

11	Cable gland	NYLON 6	1	G 3/8 (a)
10	Actuator	ADC12/PC Cover	1	
9	Joint	SUS304	1	
8	Joint	SCS13A	1	
7	Bracket	SCS13A	1	
6	Packing	R-PTFE	1	
5	Packing	F-PTFE	1	
4	Stem	SUS316	1	
3	Seat	PTFE	2	
2	Ball	SCS14A	1	
1	Body	SCS14A	1	
No	DESCRIPTION	MATERIALS	REQ'D	REMARKS

			APPR'D	H.F	TITLE	Threaded End Rc			Valve DN: 15 A
			CHK'D	K.Y		SR type electric emergency shut off ball valve			
			DESIGN		MODEL	ACRSR205UUT			
			DRAWN	P.O					
MARK	DATE	BY	DATE	'16-04-25	SCALE	NON	DWG No.	SR-05UUT-AC2a-EN	
REVISIONS									
MV-									



**NIPPON VALVE CONTROLS, INC.**