

CMX type Electric Actuator Specifications

FEATURE

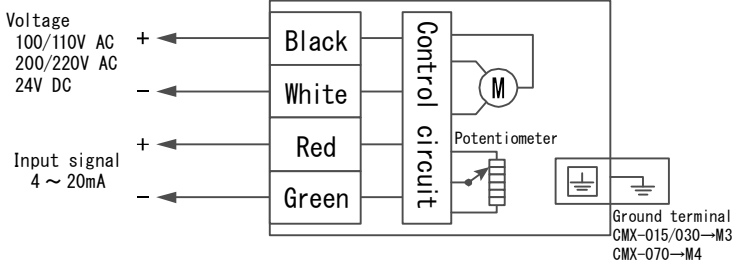
A lightweight and economical electric actuator for proportional control.

SPECIFICATION

Actuator type (□:Voltage code)	CMX-030-□	CMX-070-□	CMX-030-0	CMX-070-0
Voltage	100 / 110 V AC ±10 % 200 / 220 V AC ±10 %	50/60 Hz (Code: 1) 50/60 Hz (Code: 2)	24 V DC ±20 % (Code: 0) Cannot use a half or full-wave power supply.	
Rated torque [N·m]	3	7	3	7
Operation time [s]	14.5 / 12 (50/60 Hz)	17 / 14 (50/60 Hz)	14.5	17
Power consumption [VA]	5.5	13	6	6
Motor	Synchronous motor		Stepping motor	
Overload protection	Impedance protect			
Method of operation	Proportional control			
Input signal	4 to 20 mA (Voltage descent: less than 7 V)		4 to 20 mA (Input resistance: 187.5 Ω)	
Operation	[Mode A] SHUT by 4 mA ↔ OPEN by 20 mA (Standard) [Mode B] SHUT by 20 mA ↔ OPEN by 4 mA (Option: J)			
Resolution	Less than 0.4 %			
Dead band	About 1 %			
Duty cycle	50 % 30 min			
Ambient temperature	-10 to 50 °C			
Space heater	0.2 W (CMX-070-2: 0.4 W)			
Manual operation	Direct operation (CMX-070: with clutch button)			
Enclosure	Equivalent to IP65 (IEC 60529)			
Housing material	Polycarbonate resin (Brack)			
Conduct port	Flexible cable 4 leads 0.5 mm ² L=500 mm			
Ground terminal	Actuator mounting screw: M3 (CMX-070: M4)			

3 way valve: SHUT / Position①, OPEN / Position②.

WIRING



Flexible cable of the actuator has 4 lead wires colored in Black, White, Red, and Green. Check that power supply voltage is correct and connect wires as shown in the wiring diagram.

Note) • CMX of AC power; if the input signal is cut off the valve holds the current position and stops.
• Wire a power line and a signal line by the separate cable when cable length becomes more than 100 m.
• For prevention of noise, please perform grounding surely.
• Voltage and input signals are non-isolated.
• For manual operation on CMX-070, press the clutch button while operating it.