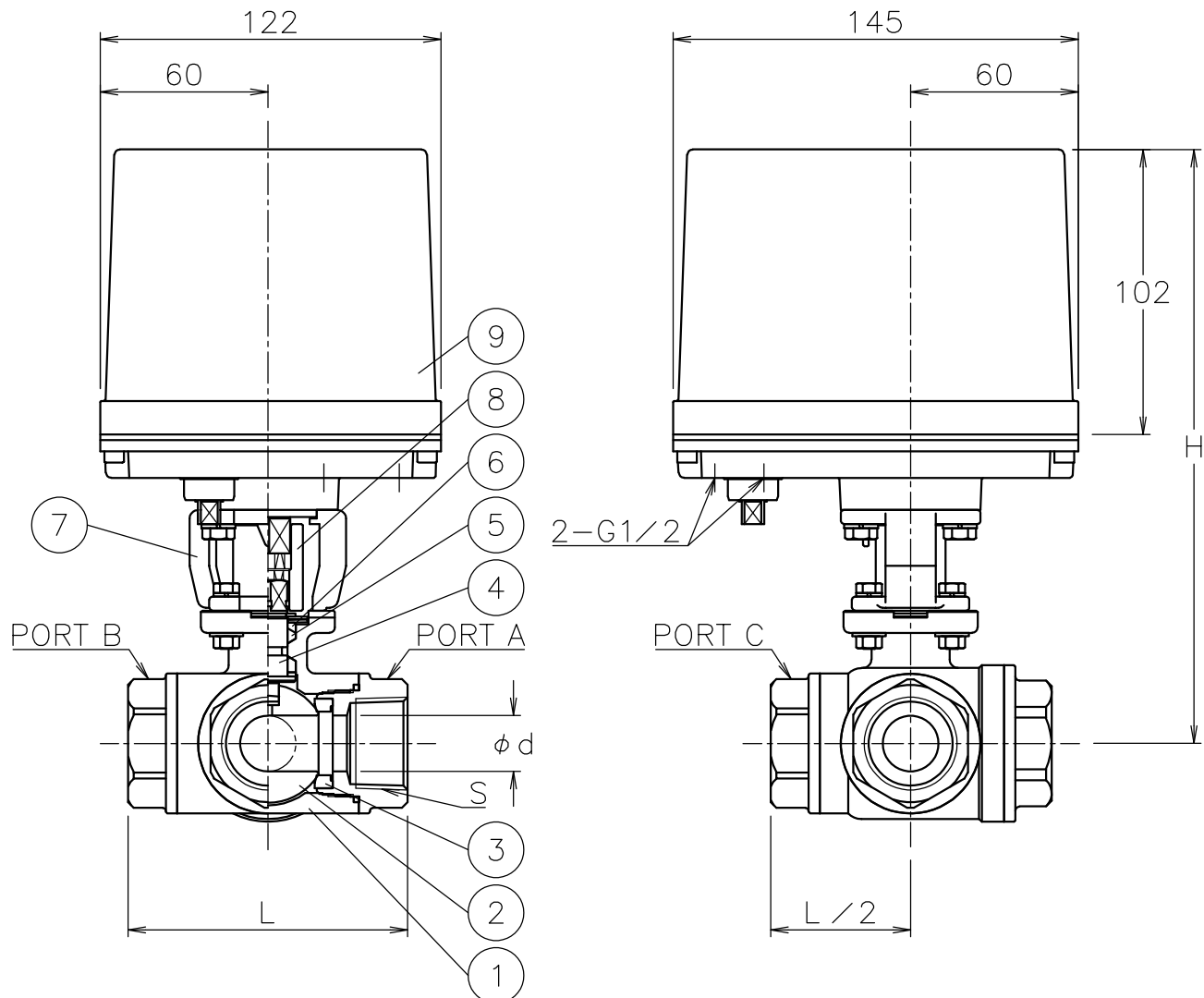


Valve DN	S	d	L	H	Weight (kg)	Cv	Actuator		Sizing code
15 A	Rc 1/2	13	75	205	3.1	5	AE1-120	AE2-120	0
20 A	Rc 3/4	16	85	208	3.5	10	AE1-120	AE2-120	0
25 A	Rc 1	20	100	213	4.1	16	AE1-120	AE2-120	0
32 A	Rc1 1/4	25	115	218	5.5	25	AE1-360	AE2-360	0

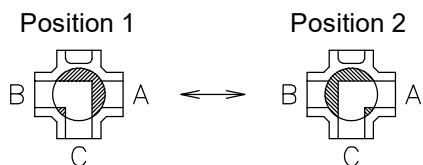


NOTE

Attachment

- Cable gland (nylon), G1/2, for $\phi 6 \sim 12$ cable
- Plug

Flow paths (Top view of valve)



9	Actuator	Aluminum alloy die-cast cover	1	
8	Joint	SUS304	1	
7	Bracket	SCS13A	1	
6	Packing	R-PTFE	1	
5	Packing	F-PTFE	1	
4	Stem	SUS316	1	
3	Seat	F-PTFE	4	
2	Ball	SCS14A	1	
1	Body	SCS14A	1	

No	DESCRIPTION	MATERIALS	REQ'D	REMARKS
	TITLE	Threaded End Rc Valve DN: 15~32 A SL type electric actuated 3 way ball valve		
	MODEL	AE1SL*05UUF AE2SL*05UUF		
MARK	DATE	BY	DATE	'16-05-27
	SCALE	NON	DWG No.	SL-05UUF-AE1a-EN

REVISIONS

MV-



NIPPON VALVE CONTROLS, INC.