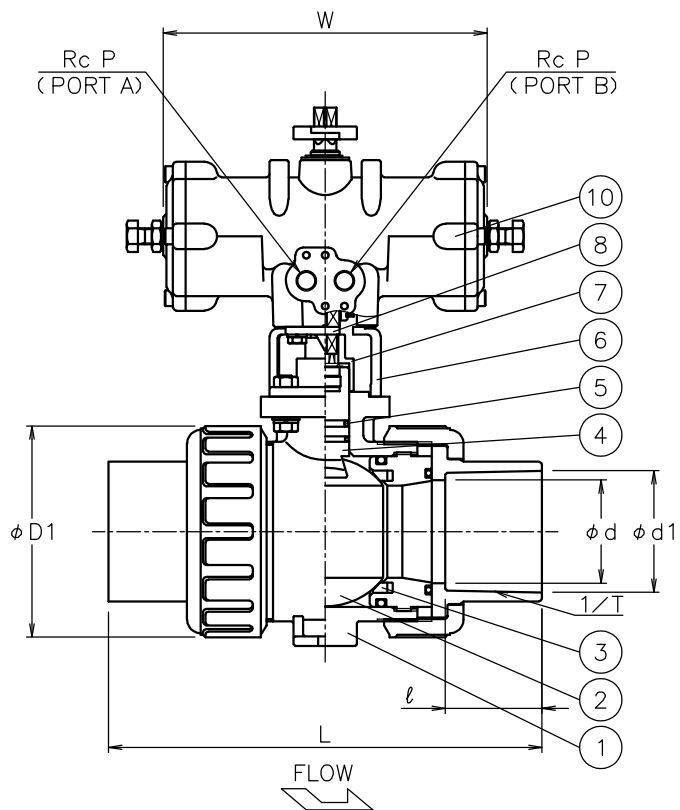
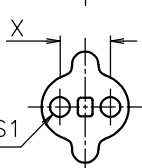
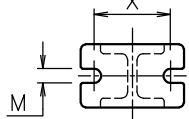
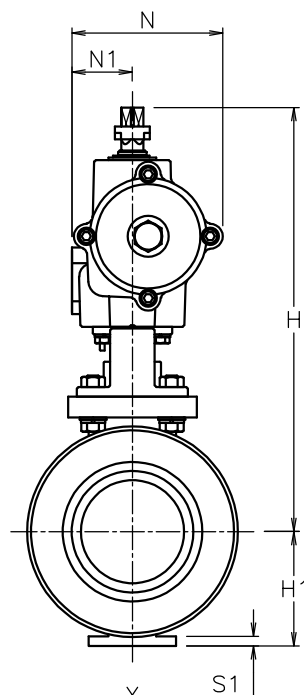


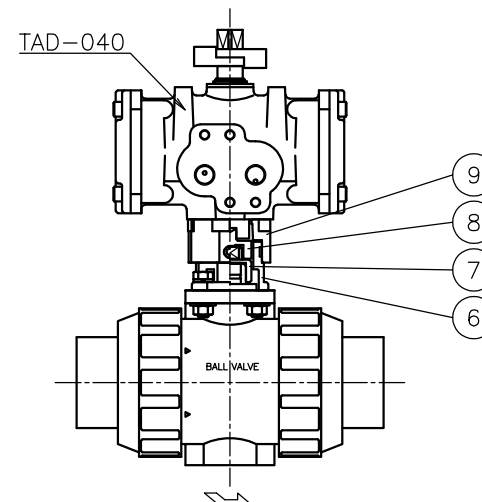
Size (mm)	d	d1	L	D1	ℓ	P	1/T	X	M	S1	W	N	N1	H1	H	Weight (kg)	Cv	Actuator	Sizing code
15	15	22.11	109	48	20	1/8	1/34	19	7.3	11	110	57	32	29	153	1.3	14	TAD-040	0
20	20	26.13	128	60	24	1/8	1/34	19	7.3	11	110	57	32	35	160	1.4	29	TAD-040	0
25	25	32.16	145	70	27	1/8	1/34	19	7.3	11	110	57	32	39	167	1.5	47	TAD-040	0
32	32	38.19	162	82	30	1/8	1/34	30	9	15	110	57	32	47	184	1.8	72	TAD-040	0
40	40	48.21	189	100	37	1/4	1/37	30	9	15	170	82	36	55	220	2.6	155	TAD-050	0
50	51	60.25	220	126	42	1/4	1/37	30	9	15	170	82	36	66	232	3.3	190	TAD-050	0
											204	95	38		247	4.1		TAD-063	2
65	65	76.6	273	133	61	1/4	1/48	48	9	6	204	95	38	72	267	4.9	365	TAD-063	0
80	78	89.6	316	152	64	1/4	1/49	55	11	7	204	95	38	85	276	6.3	410	TAD-063	0
											240	116	45		318	8		TAD-080	2
100	100	114.7	419	210	84	1/4	1/56	65	11	8	240	116	45	110	350	14	680	TAD-080	0



※ More than Size 65 do not have a flow mark.



Size : 15~50




TADPA907PPV-015  
TADPA907PPV-020  
TADPA907PPV-025  
TADPA907PPV-032

10	Actuator		1	TAD
9	Bracket	BERIC	1	
8	Joint	SUS304	1	
7	Joint	SUS303/SCS13A	1	
6	Bracket	SUS304/SCS13A	1	
5	O-ring	FKM	2	
4	Stem	PVC	1	
3	Seat	PTFE	2	
2	Ball	PVC	1	
1	Body	PVC	1	
No	DESCRIPTION	MATERIALS	REQ'D	REMARKS

NOTE

- Air supply : 0.4~0.5 Mpa max 0.7 Mpa
- Actuator operation
  - Air to port A : SHUT
  - Air to port B : OPEN

2-φ M Depth:S1  
(for Ensat)

			APPR'D	H.F	TITLE	Socket-end (double-acting type) PA type pneumatic actuated ball valve			
			CHK'D	K.Y	MODEL	TADPA9*7PPV			
			DESIGN	P.O	SCALE	NON	DWG No.	PA-9*7PPV-TA2-EN	
MARK	DATE	BY	DATE	'16-11-17					
REVISIONS					 <b>NIPPON VALVE CONTROLS, INC.</b>				
MV-2557									