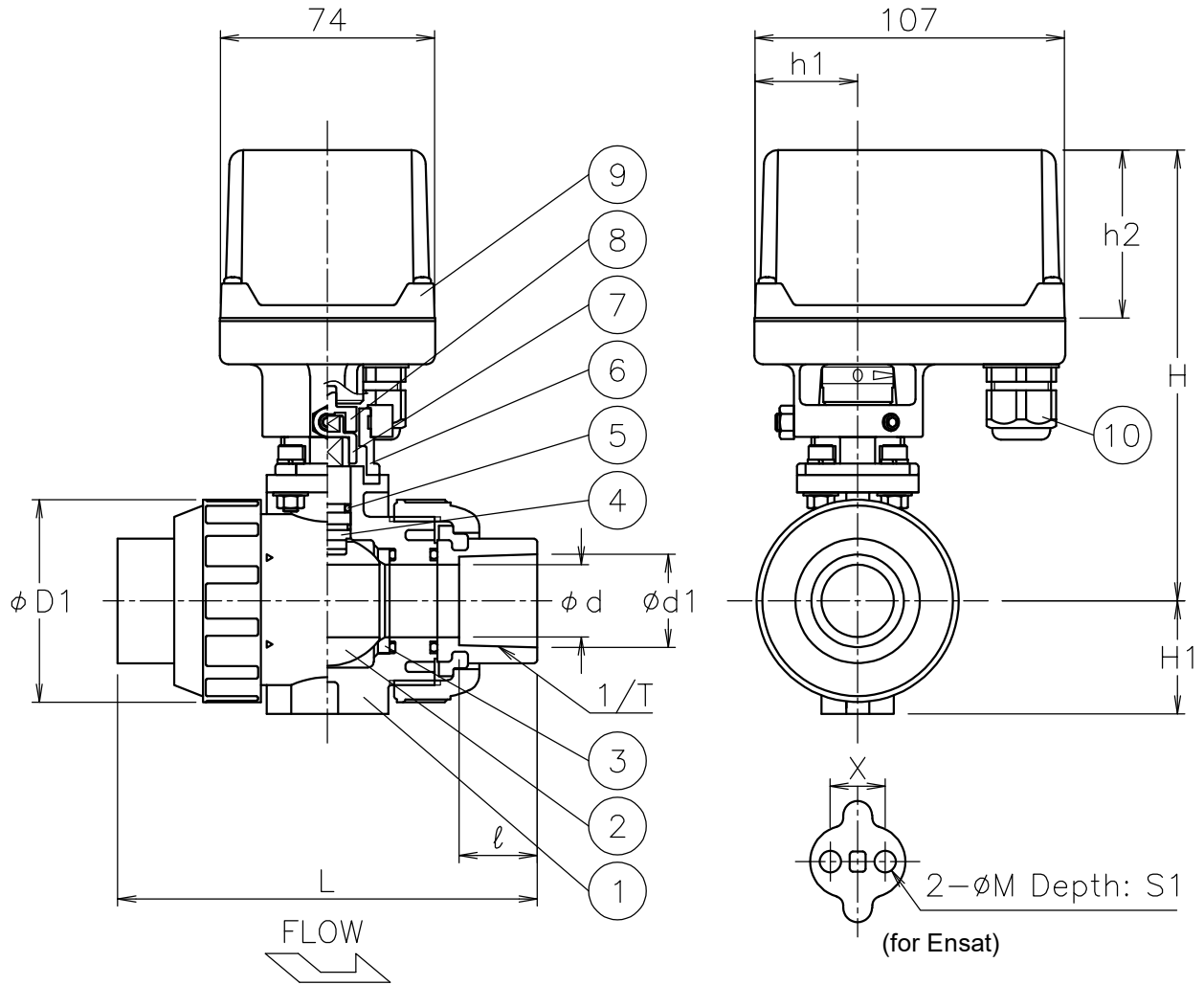



Size [mm]	d	D1	d1	ℓ	1/T	L	H1	X	M	S1	h1	h2	H	Weight [kg]	Cv	Actuator	Sizing code
15	15	48	22.11	20	1/34	109	29	19	7.3	11	36	58	143	1.3	14	AM*-030	0
20	20	60	26.13	24	1/34	128	35	19	7.3	11	36	58	149	1.4	29	AM*-070	0
25	25	70	32.16	27	1/34	145	39	19	7.3	11	36	58	156	1.5	47	AM*-070	0
32	32	82	38.19	30	1/34	162	47	30	9	15	36	58	173	1.8	72	AM*-070	0
40	40	100	48.21	37	1/37	189	55	30	9	15	53	85	234	2.7	155	AM*-180	0



**NOTE**

(a) Cable acceptance 5 $\phi$  to 10.5 $\phi$  mm.

10	Cable gland	NYLON 6	1	G3/8 (a)
9	Actuator	ADC12/PC Cover	1	
8	Joint	SUS304	1	
7	Joint	SCS13A	1	
6	Bracket	SCS13A	1	
5	O-ring	FKM	2	
4	Stem	PVC	1	
3	Seat	PTFE	2	
2	Ball	PVC	1	
1	Body	PVC	1	
No	DESCRIPTION	MATERIALS	REQ'D	REMARKS

			APPR'D	H.F	TITLE	Socket-end PA type motorized ball valve			
			CHK'D	K.Y					
			DESIGN		MODEL	AM1PA*07PPV AM2PA*07PPV			
			DRAWN	S.O					
MARK	DATE	BY	DATE	'21-12-17	SCALE	NON	DWG No.	PA-07PPV-AM5-EN	
REVISIONS			 <b>NIPPON VALVE CONTROLS, INC.</b>						
MV-2945									