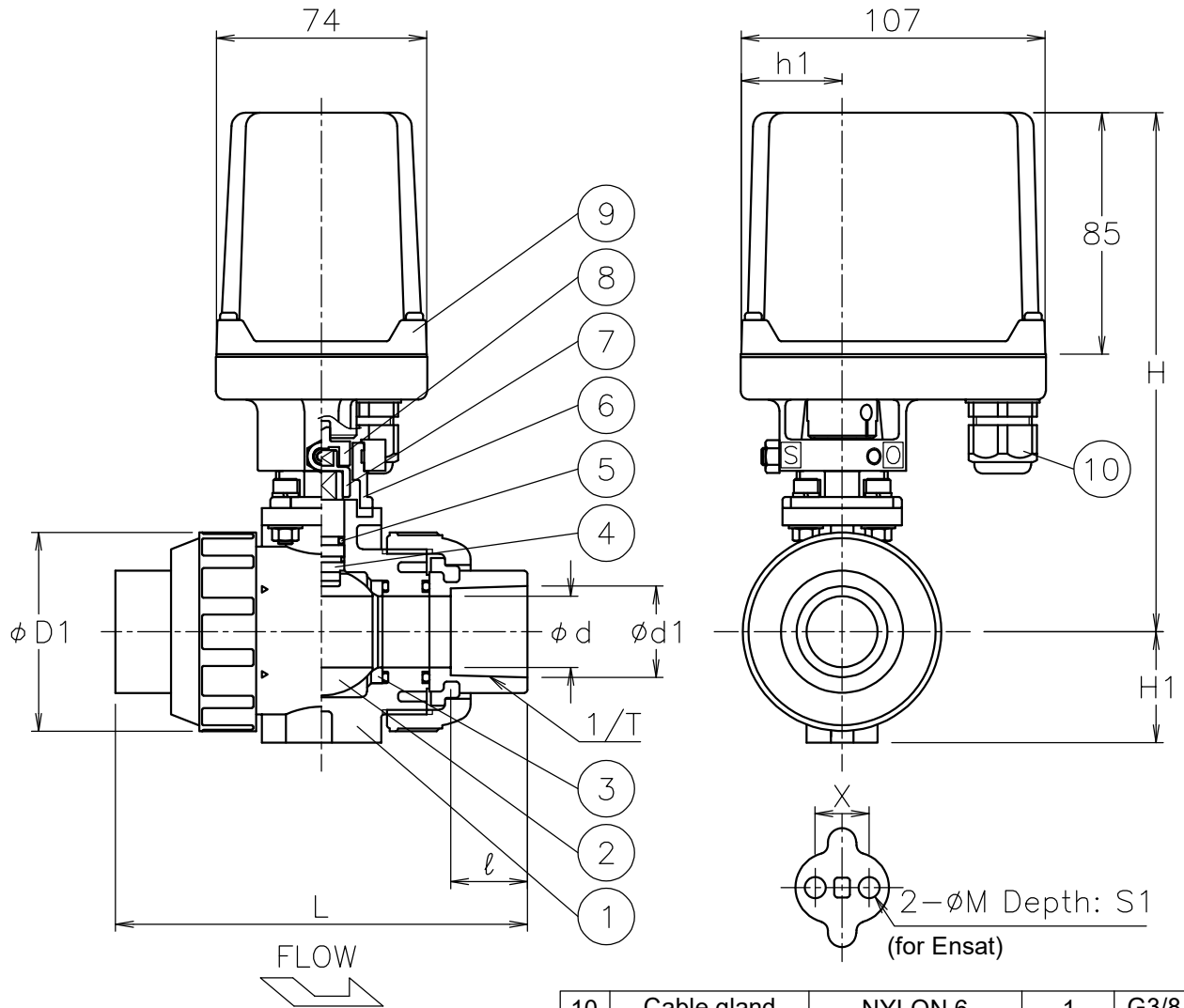



| Size [mm] | d | D1 | d1 | ℓ | 1/T | L | H1 | X | M | S1 | h1 | H | Weight [kg] | Cv | Actuator | Sizing code |
|-----------|----|-----|-------|----|------|-----|----|----|-----|----|----|-----|-------------|-----|----------|-------------|
| 15 | 15 | 48 | 22.11 | 20 | 1/34 | 109 | 29 | 19 | 7.3 | 11 | 36 | 170 | 1.4 | 14 | AH1-030 | 0 |
| 20 | 20 | 60 | 26.13 | 24 | 1/34 | 128 | 35 | 19 | 7.3 | 11 | 36 | 176 | 1.7 | 29 | AH1-070 | 0 |
| 25 | 25 | 70 | 32.16 | 27 | 1/34 | 145 | 39 | 19 | 7.3 | 11 | 36 | 183 | 1.8 | 47 | AH1-070 | 0 |
| 32 | 32 | 82 | 38.19 | 30 | 1/34 | 162 | 47 | 30 | 9 | 15 | 36 | 200 | 2.1 | 72 | AH1-070 | 0 |
| 40 | 40 | 100 | 48.21 | 37 | 1/37 | 189 | 55 | 30 | 9 | 15 | 53 | 234 | 2.9 | 155 | AH1-180 | 0 |



NOTE

(a) Cable acceptance 5φ to 10.5φ mm.

| 10 | Cable gland | NYLON 6 | 1 | G3/8 (a) |
|----|-------------|----------------|-------|----------|
| 9 | Actuator | ADC12/PC Cover | 1 | |
| 8 | Joint | SUS304 | 1 | |
| 7 | Joint | SCS13A | 1 | |
| 6 | Bracket | SCS13A | 1 | |
| 5 | O-ring | FKM | 2 | |
| 4 | Stem | PVC | 1 | |
| 3 | Seat | PTFE | 2 | |
| 2 | Ball | PVC | 1 | |
| 1 | Body | PVC | 1 | |
| No | DESCRIPTION | MATERIALS | REQ'D | REMARKS |

| | | | | | | | | | |
|-----------|------|----|--|-----------|-------|---|---------|-----------------|--|
| | | | APPR'D | H.F | TITLE | Socket-end PA type motorized ball valve | | | |
| | | | CHK'D | K.Y | | | | | |
| | | | DESIGN | | MODEL | AH1PA*07PPV | | | |
| | | | DRAWN | S.O | | | | | |
| MARK | DATE | BY | DATE | '21-12-23 | SCALE | NON | DWG No. | PA-07PPV-CM4-EN | |
| REVISIONS | | |  NIPPON VALVE CONTROLS, INC. | | | | | | |
| MV-2947 | | | | | | | | | |