

NOTE

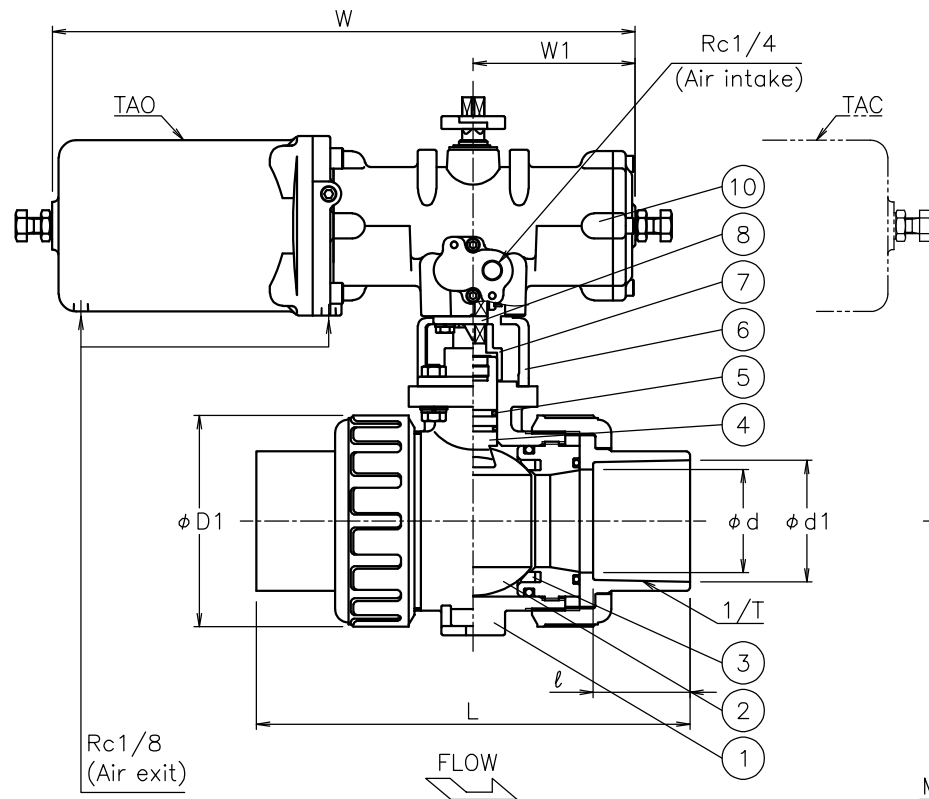
- 1) Air supply: 0.4 to 0.5 Mpa. Max 0.7 Mpa.
- 2) Actuator operation

	Air to intake port	Spring return
TAO	OPEN	SHUT
TAC	SHUT	OPEN

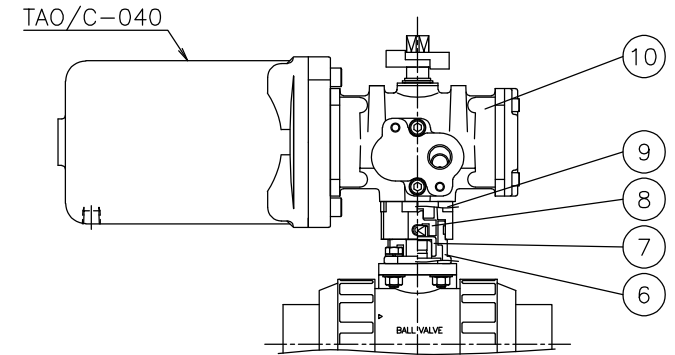
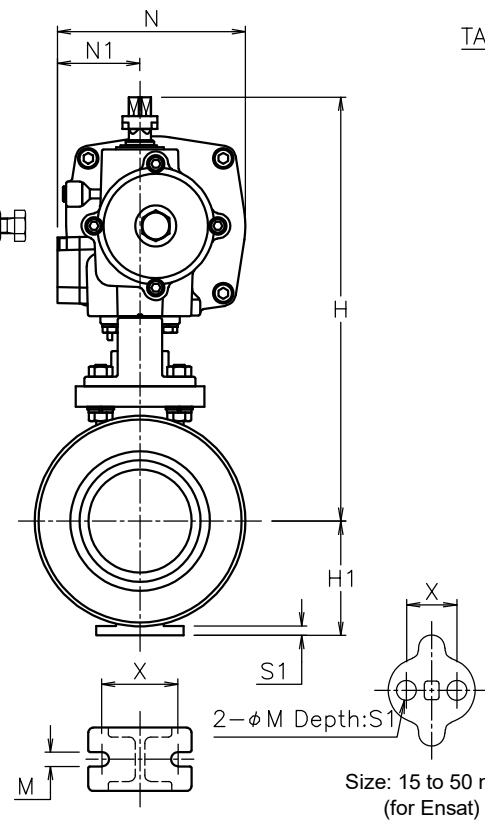
* This drawing is TAO.

* Only TAC-040 has the same cylinder direction as TAO.

Size [mm]	d	D1	d1	ℓ	1/T	L	H1	X	M	S1	W	W1	N	N1	H	Weight [kg]	Cv	Actuator	Sizing code
15	15	48	22.11	20	1/34	109	29	19	7.3	11	249	55	92	46	153	2.8	14	TA*-040	0
20	20	60	26.13	24	1/34	128	35	19	7.3	11	249	55	92	46	160	2.9	29	TA*-040	0
											305	85	103	50	196	3.7		TA*-050	2
25	25	70	32.16	27	1/34	145	39	19	7.3	11	249	55	92	46	167	3	47	TA*-040	0
32	32	82	38.19	30	1/34	162	47	30	9	15	249	55	92	46	184	3.3	72	TA*-040	0
40	40	100	48.21	37	1/37	189	55	30	9	15	305	85	103	50	220	4.4	155	TA*-050	0
50	51	126	60.25	42	1/37	220	66	30	9	15	305	85	103	50	232	5.1	190	TA*-050	0
											367	102	119	52	247	7		TA*-063	2
65	65	133	76.6	61	1/48	273	72	48	9	6	367	102	119	52	267	7.9	365	TA*-063	0
80	78	152	89.6	64	1/49	316	85	55	11	7	367	102	119	52	276	9.3	410	TA*-063	0
											435	120	142	59	318	14		TA*-080	2
100	100	210	114.7	84	1/56	419	110	65	11	8	435	120	142	59	350	19	680	TA*-080	0



Flow marks are not attached to sizes 65 to 100 mm.



- TA*PA907PPE-015
- TA*PA907PPE-020
- TA*PA907PPE-025
- TA*PA907PPE-032

No	DESCRIPTION	MATERIALS	REQ'D	REMARKS
10	Actuator		1	TAO/C
9	Bracket	BERIC	1	
8	Joint	SUS304	1	
7	Joint	SUS303/SCS13A	1	
6	Bracket	SUS304/SCS13A	1	
5	O-ring	EPDM	2	
4	Stem	PVC	1	
3	Seat	PTFE	2	
2	Ball	PVC	1	
1	Body	PVC	1	

			APPR'D	K.Y	TITLE	Socket-end (single-acting type) PA type electric actuated ball valve			
			CHK'D	K.Y					
			DESIGN		MODEL	TAOPA9*7PPE TACPA9*7PPE			
			DRAWN	S.O					
MARK	DATE	BY	DATE	'23-10-26	SCALE	NON	DWG No.	PA-9*7PPE-TD4-EN	
REVISIONS									
MV-3037									