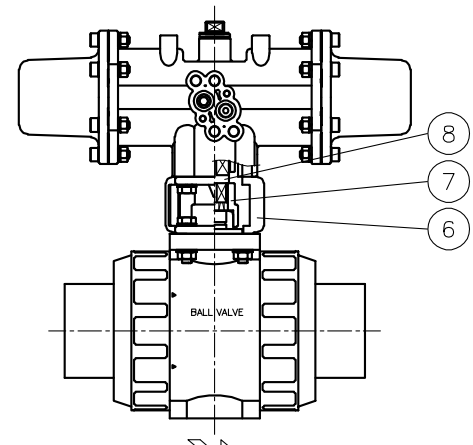
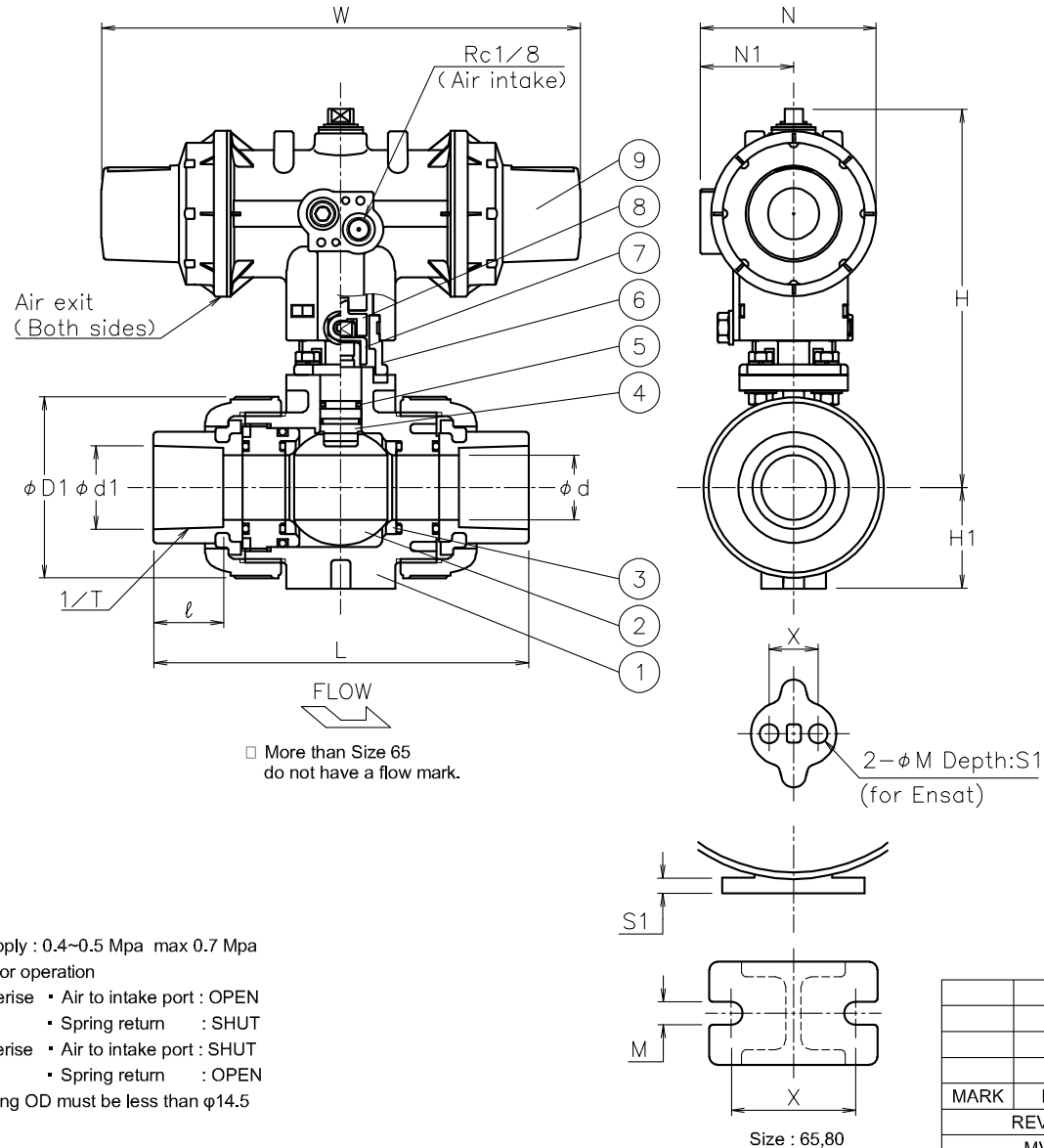


Size (mm)	d	d1	L	D1	ℓ	1/T	X	M	S1	W	N	N1	H1	H	Weight (kg)	Cv	Actuator		Sizing code
15	15	22.11	109	48	20	1/34	19	7.3	11	160	57	30	29	117	0.7	14	PSO-03D	PSC-03D	0
20	20	26.13	128	60	24	1/34	19	7.3	11	160	57	30	35	123	0.8	29	PSO-03D	PSC-03D	0
25	25	32.16	145	70	27	1/34	19	7.3	11	185	68	36	39	147	1.1	47	PSO-04D	PSC-04D	0
32	32	38.19	162	82	30	1/34	30	9	15	185	68	36	47	164	1.4	72	PSO-04D	PSC-04D	0
40	40	48.21	189	100	37	1/37	30	9	15	247	82	44	55	195	2.5	155	PSO-05D	PSC-05D	0
50	51	60.25	220	126	42	1/37	30	9	15	247	82	44	66	206	3.2	190	PSO-05D	PSC-05D	0
65	65	76.6	273	133	61	1/48	48	9	6	288	95	48	72	227	4.6	365	PSO-05W	PSC-05W	0
80	78	89.6	316	152	64	1/49	55	11	7	288	95	48	85	236	6	410	PSO-05W	PSC-05W	0



PS\*PA907PPE-040  
 PS\*PA907PPE-050  
 PS\*PA907PPE-065  
 PS\*PA907PPE-080

No	DESCRIPTION	MATERIALS	REQ'D	REMARKS
9	Actuator	PPS body	1	PSO/C
8	Joint	SUS304	1	
7	Joint	SCS13A	1	
6	Bracket	SCS13A	1	
5	O-ring	EPDM	2	
4	Stem	PVC	1	
3	Seat	PTFE	2	
2	Ball	PVC	1	
1	Body	PVC	1	

MARK	DATE	BY	APPR'D	K.Y	TITLE	MODEL	SCALE	NON	DWG No.	REMARKS
			CHK'D	K.Y	Socket-end (single-acting type) PA type pneumatic actuated ball valve	PSOPA907PPE PSCPA907PPE				
			DESIGN							
			DRAWN	T.A						
			DATE	'22-12-08						

REVISIONS		
		MV-2987

NOTE  
 1. Air supply : 0.4~0.5 Mpa max 0.7 Mpa  
 2. Actuator operation  
 PSO serie • Air to intake port : OPEN  
               • Spring return : SHUT  
 PSC serie • Air to intake port : SHUT  
               • Spring return : OPEN  
 3. Coupling OD must be less than φ14.5