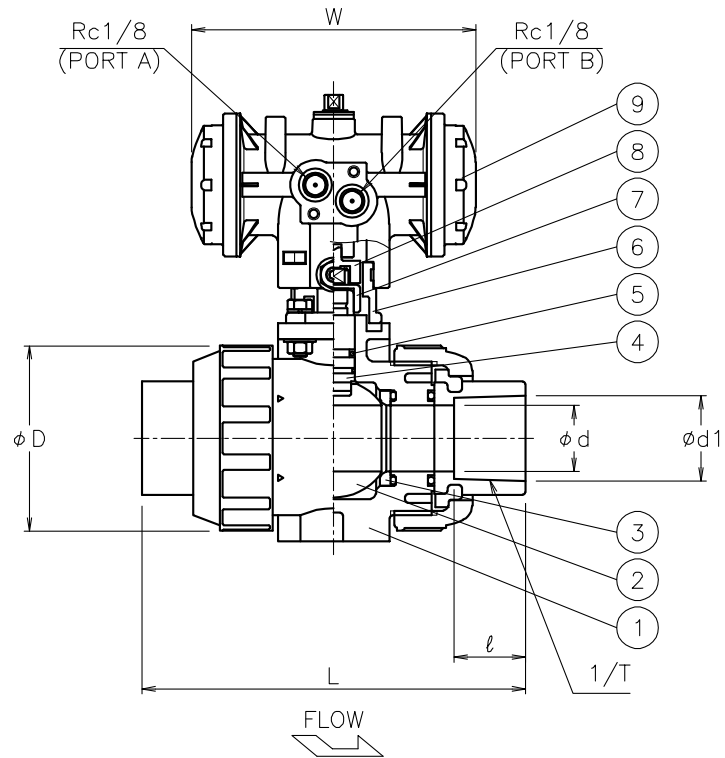
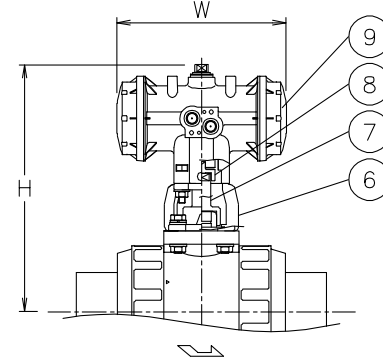
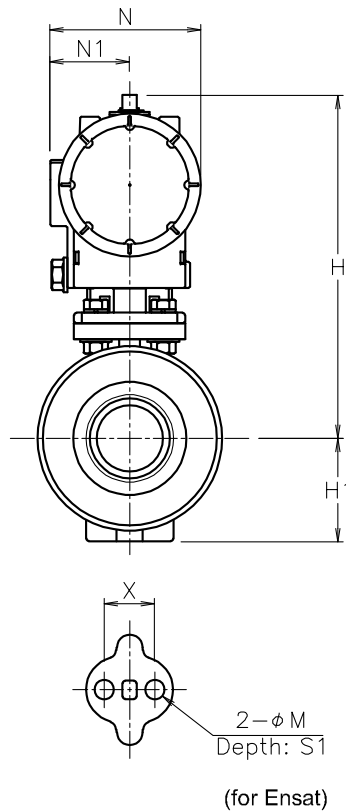


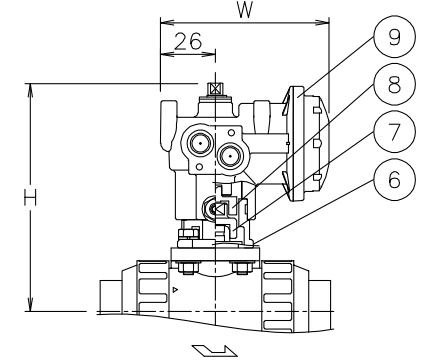
Size [mm]	d	d1	L	D1	ℓ	1/T	H1	X	M	S1	W	N	N1	H	Weight [kg]	Cv	Actuator	Sizing code
15	15	22.11	109	48	20	1/34	29	19	7.3	11	80	57	30	108	0.6	14	PND-03S	0
20	20	26.13	128	60	24	1/34	35	19	7.3	11	108	57	30	123	0.8	29	PND-03D	0
25	25	32.16	145	70	27	1/34	39	19	7.3	11	108	57	30	130	1	47	PND-03D	0
32	32	38.19	162	82	30	1/34	47	30	9	15	108	57	30	147	1.2	72	PND-03D	0
40	40	48.21	189	100	37	1/37	55	30	9	15	128	68	36	187	1.8	155	PND-04D	0
50	51	60.25	220	126	42	1/37	66	30	9	15	128	68	36	198	2.6	190	PND-04D	0
											157	82	44	206	2.9		PND-05D	2
65	65	76.6	273	133	61	1/48	72	48	9	6	157	82	44	227	3.9	365	PND-05D	0
80	78	89.6	316	152	64	1/49	85	55	11	7	157	82	44	236	5.4	410	PND-05D	0



Note) FLOW is not specified with size 65 or more.



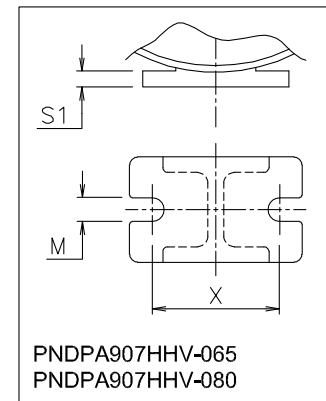
PNDPA907HHV-040
PNDPA9*7HHV-050
PNDPA907HHV-065
PNDPA907HHV-080



PNDPA907HHV-015

NOTE

- 1) Air supply: 0.4 to 0.5 Mpa. Max 0.7 Mpa.
 - 2) Actuator operation
Air to port A: SHUT.
Air to port B: OPEN.
- (a) Heat-resistant PVC
(b) Coupling OD must be less than 14.5 mm.



PNDPA907HHV-065
PNDPA907HHV-080

No	DESCRIPTION	MATERIALS	REQ'D	REMARKS
9	Actuator	PPS body	1	PND (b)
8	Joint	SUS304	1	
7	Joint	SCS13A	1	
6	Bracket	SCS13A	1	
5	O-ring	FKM	2	
4	Stem	C-PVC	1	(a)
3	Seat	PTFE	2	
2	Ball	C-PVC	1	(a)
1	Body	C-PVC	1	(a)

MARK	DATE	BY	DATE	SCALE	NON	DWG No.	PA-9*7HHV-NA1
REVISIONS				APPR'D	K.Y	TITLE	Socket-end (double-acting type) PA type pneumatic actuated ball valve
MV-2987				CHK'D	K.Y	MODEL	PNDPA9*7HHV
				DESIGN			
				DRAWN	T.A		
				DATE	'22-12-08		



NIPPON VALVE CONTROLS, INC.